



Freestanding and built-in home appliances 2025

VIVAX

CONTENTS



Washing Machines and Dryers	4
Dishwashers	16
Refrigerators	22
Vertical and Horizontal Freezers	32
Wine Coolers	38
Selfstanding Cookers	40
Built-in Ovens	50
Built-in Microwaves	56
Built-in Hobs	58
Kitchen Hoods	64
Built-in Dishwashers	68
Water Heaters	72
SPECIFICATIONS	
Refrigerators	74
Wine Coolers	76
Vertical and Horizontal Freezers	77
Washing Machines	78
Washer-Dryer	80
Dryers	81
Dishwashers	82
Stoves	84
Water Heaters	86
Built-in Microwaves	87
Built-in Ovens	88
Built-in Hobs	90
Kitchen Hoods	92
Built-in Dishwashers	94
INSTALLATION DIAGRAMS	
Built-in Microwaves	96
Built-in Ovens	97
Built-in Hobs	98
Kitchen Hoods	100
Built-in Dishwashers	102

VIVAX is a recognized brand of consumer electronics, present on the market for 21 years, known for its quality and affordability. With a focus on creating products that meet the needs of the modern home, VIVAX is the leading choice for those seeking reliable, functional, and visually appealing devices.

The VIVAX slogan "Simply Quality" embodies the essence of everything VIVAX represents. Emphasizing ease of use and lasting quality in every product, our goal is to provide users with reliable devices that simplify and enhance everyday life. VIVAX offers uncompromising functionality with a design that fits into every home.

VIVAX Freestanding and Built-in Home Appliances

Choosing the right home appliance can significantly impact everyday life. VIVAX devices combine superior quality and modern technology, while also providing functionality and style that will perfectly complement any interior.

Technology that Protects Nature

The production of our devices is focused on preserving nature and protecting natural resources for future generations. Through innovative approaches and sustainable materials, we develop products that reduce energy consumption, are recyclable, and comply with all EU standards for environmental protection.





VIVAX

VIVAX factory warranty covers any malfunction or defect in the device that occurs during the warranty period. White goods devices are covered by a three-year warranty, while refrigerators and freezers come with a five-year warranty.

VIVAX 5-year factory warranty

The warranty for VIVAX refrigerators and freezers is 60 months. We believe in the quality of VIVAX refrigerators and freezers, and we guarantee their functionality for 5 years. This is a standard and comprehensive warranty for our devices, and no additional registration is required after purchase to activate the warranty.

VIVAX 3-year factory warranty

Warranty time of 36 months, or 3 years, applies to cookers, washing machines, dryers, and dishwashers. This is a standard warranty for our devices, and no additional registration of the device is required after purchase to activate the warranty. For detailed information on warranty conditions and a list of authorized service centers, please visit vivax.com.

WASHING MACHINES AND DRYERS



WASHING MACHINES



 *BLDC Inverter motor*

 *STORM WASH*

 *SUPER SPA*

 *STEAM*

WFL-140916PSI

Load Capacity (kg)	9
Spinning (rpm)	1400
Washing programs	16
Dimensions – W x H x D (cm)	59,5 x 85,0 x 60,0

- Inverter motor
- Storm Wash
- Night Wash
- Steam program
- Child lock
- Timer: Delay wash
- Adjustable temperature and spin speed
- Energy Efficiency: A
- Light in the drum
- **Tempered glass outer door**

BLDC INVERTER MOTOR

Compared with universal motor, the inverter motor can reach more than 70% power saving. Quiet and durable running, with better stability.



STORM WASH

Storm wash reduces laundry process by increasing beat frequency, reducing dwell time, which shortens the laundry time by about 30%, making the most of efficiency utilization.

SAVE TIME **30%**



 *inverter*

Stain Magic[★]

WFL-140816PMI

Load Capacity (kg)	8
Spinning (rpm)	1400
Washing programs	16
Dimensions – W x H x D (cm)	59,5 x 85,0 x 56,5

- Inverter motor
- Stain Magic function (stain removal)
- Boost function (shorter wash)
- Quick wash 15 / 45 min
- LED display
- Timer - Delay wash
- Adjustable temperature and spin speed
- Energy efficiency A

 *inverter*






INVERTER

Foodinverter washing machines offer significant advantages over conventional models. Thanks to inverter motor technology, these machines consume less electricity as the motor operates more efficiently and adapts to current washing needs. Additionally, the inverter motor allows for quieter operation, reduces vibrations, and extends the lifespan of the appliance. Compared to conventional washing machines, inverter models provide better control over washing speed and intensity, resulting in greater cleaning efficiency and lower maintenance costs.

Stain Magic[★]

STAIN MAGIC

A special program for removing stains from clothing. You can select one of the options: Food, Drink, Sports and Fitness, Workshop Stains, and Cosmetic or Blood Stains. Depending on the selected option, the machine optimally adjusts washing time, soaking, and water temperature to remove stains.

	Food	Fruit, vegetables, jams...
	Drink	Juice, coffee, wine...
	Sport	Grass, sweat...
	Outdoors & Workers	Grease, mud...
	Beauty & Health	Makeup, wounds...





 *inverter*

WFL-141012CI

Load Capacity (kg)	10
Spinning (rpm)	1400
Washing programs	12
Dimensions – W x H x D (cm)	59,5 x 85,0 x 60,0

- Inverter motor
- Steam program
- Child lock
- Timer: Delay wash (3-24hrs)
- Adjustable temperature and spin speed
- Energy Efficiency: A



 *inverter*

WFL-140912CI

Load Capacity (kg)	9
Spinning (rpm)	1400
Washing programs	12
Dimensions – W x H x D (cm)	59,5 x 85,0 x 60,0

- Inverter motor
- Steam program
- Child lock
- Timer: Delay wash (3-24hrs)
- Adjustable temperature and spin speed
- Energy Efficiency: A



 *inverter*

WFL-140812CI

Load Capacity (kg)	8
Spinning (rpm)	1400
Washing programs	12
Dimensions – W x H x D (cm)	59,5 x 85,0 x 51,0

- Inverter motor
- Quick wash 15 min
- Drum cleaning function
- Adjustable temperature and spin speed
- LED display
- Timer - Delay wash
- Energy efficiency A



 *inverter*

WFL-140712CI

Load Capacity (kg)	7
Spinning (rpm)	1400
Washing programs	12
Dimensions – W x H x D (cm)	59,5 x 85,0 x 48,0

- Inverter motor
- Slim model
- Quick wash 15 min
- Drum cleaning function
- Adjustable temperature and spin speed
- LED display
- Timer - Delay wash
- Energy efficiency A



inverter

WFL-120812CI

Load Capacity (kg)	8
Spinning (rpm)	1200
Washing programs	12
Dimensions – W x H x D (cm)	59,5 x 85,0 x 51,0

- Inverter motor
- Steam function
- Quick wash 15 min
- Drum cleaning function
- Adjustable temperature and spin speed
- LED display
- Timer - Delay wash
- Energy efficiency A



inverter

WFL-120712CI

Load Capacity (kg)	7
Spinning (rpm)	1200
Washing programs	12
Dimensions – W x H x D (cm)	59,5 x 85,0 x 48,0

- Inverter motor
- Steam function
- Slim model
- Quick wash 15 min
- Drum cleaning function
- Adjustable temperature and spin speed
- LED display
- Timer - Delay wash
- Energy efficiency A



STEAM

The steam function is activated to have the inner drum environment heated, leading to the improvement on washing performance and dirt reduced.



 inverter

WFL-120716CDS

Load Capacity (kg)	7
Spinning (rpm)	1200
Washing programs	16
Dimensions – W x H x D (cm)	59,5 x 85,0 x 48,0

- Inverter motor
- Steam function
- Slim model
- Quick wash 15 / 42 min
- Drum cleaning function
- Adjustable temperature and spin speed
- LED display
- Timer - Delay wash
- Energy efficiency E



 inverter

WFL-120716CSI

Load Capacity (kg)	7
Spinning (rpm)	1200
Washing programs	16
Dimensions – W x H x D (cm)	59,5 x 85,0 x 48,0

- Inverter motor
- Steam function
- Slim model
- Quick wash 15 / 42 min
- Drum cleaning function
- Adjustable temperature and spin speed
- LED indicator
- Timer - Delay wash
- Energy efficiency A



 *inverter*

WFL-100616CDSI

Load Capacity (kg)	6
Spinning (rpm)	1000
Washing programs	16
Dimensions – W x H x D (cm)	59,5 x 85,0 x 44,0

- Inverter motor
- Steam function
- Slim model
- Quick wash 15 / 42 min
- Drum cleaning function
- Adjustable temperature and spin speed
- LED display
- Timer - Delay wash
- Energy efficiency A



 *inverter*

WFL-100616CSI

Load Capacity (kg)	6
Spinning (rpm)	1000
Washing programs	16
Dimensions – W x H x D (cm)	59,5 x 85,0 x 44,0

- Inverter motor
- Steam function
- Slim model
- Quick wash 15 / 42 min
- Drum cleaning function
- Adjustable temperature and spin speed
- LED indicator
- Timer - Delay wash
- Energy efficiency A

TOP-LOADING WASHING MACHINES



WTL-120715CB

Load Capacity (kg)	7
Spinning (rpm)	1200
Washing programs	15
Dimensions – W x H x D (cm)	40,0 x 87,5 x 61,0

- Top loading
- Quick wash 15 / 45 min
- Energy efficiency C
- Child lock
- Adjustable spin speed
- LED indicators
- Timer - Delay wash



DIGITAL CONTROL

Digital control with adjustable spin speed, delay start, and child lock.



EASY LOADING

The washing machine's opening is large enough to ensure easy loading and unloading. The honeycomb drum technology provides effective washing while protecting clothing.



SOFT AND EASY OPENING DESIGN

The washing machine drum opens smoothly, allowing for easy loading of laundry.



DESIGN FOR ANY SPACE

VIVAX top-loading washing machines are ideal for small spaces. With its honeycomb drum, this machine reduces friction and ensures that every piece of clothing is perfectly washed and sparkling. Its compact size makes it perfect for small apartments and bathrooms.



WASHING MACHINE-DRYER



ROTARY DIAL

The control panel features a centrally located rotary dial for program selection and a large display. With just three simple steps, you can start the washing or drying process.



LED DISPLAY

The large LED display allows you to set the spin speed and washing temperature for each program. You can also adjust the drying intensity (iron-ready, garment refreshing, or drying for direct placement in the wardrobe).

WDF-1408D616BS

Washing/drying capacity (kg)	8 / 6
Spin speed (rpm)	1400
Number of programs	16
Dimensions – W x H x D (cm)	59,5 x 85,0 x 47,5



- Washing machine-Condenser Dryer
- LED display
- 10 washing programs, 6 drying programs
- Program - wash and dry in 1 hour
- Adjustable drying levels: iron-ready, refresh, or wardrobe-ready
- 24-hour wash and dry delay
- Energy efficiency E

DRYERS



Heatpump
Magic Dry

CDR-0816MHP

Capacity (kg)

8

Energy efficiency

A++

Number of programs

16

Dimensions – W x H x D (cm)

59,5 x 84,5 x 60,0

Width/Depth: 60/60 cm

- LED display + LED indicators
- Drying delay with 24-hour shift
- 24-hour Delay function
- Magic Dry function for fabric maintenance
- Disinfection program with UV function
- Drum interior lighting
- Anti-wrinkle function
- Drying program: one shirt, up to 5 shirts
- Adjustable drying levels: iron-ready, garment refreshing, or wardrobe-ready
- **Tempered glass outer door**

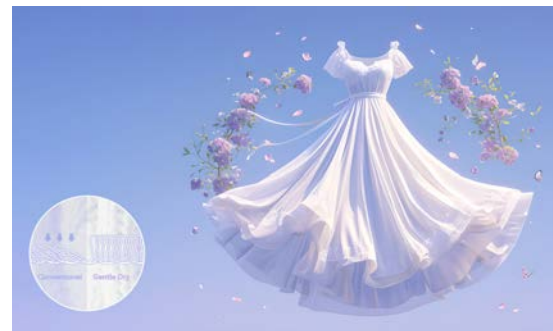


low temperature nursing

high temperature drying

HUMIDITY SENSOR

Monitor the humidity level of clothing inside to ensure the best drying effect.



GENTLE DRY

Prevent Shrinkage and Damage

Gently dry clothes that require special care without worrying about shrinkage or damage. No more dampness or accidental damage – only fresh, clean clothes as they were meant to be!



RACK DRY

You can put your clothes, shoes and toys on the rack for drying to prevent damage and wrinkle.



Heatpump

CDR-0816MHP

Width/Depth: 60/60 cm

Capacity (kg)

8

Energy efficiency

A++

Number of programs

16

Dimensions – W x H x D (cm)

59,5 x 84,5 x 60,0

- LED display + LED indicators
- Drying delay with 24-hour shift
- 24-hour Delay function
- Magic Dry function for fabric maintenance
- Disinfection program with UV function
- Drum interior lighting
- Anti-wrinkle function
- Drying program: one shirt, up to 5 shirts
- Adjustable drying levels: iron-ready, garment refreshing, or wardrobe-ready



Heatpump

CDR-0816SHP

Width/Depth: 60/60 cm

Capacity (kg)

8

Energy efficiency

A++

Number of programs

16

Dimensions – W x H x D (cm)

59,5 x 84,5 x 60,0

- Condenser Dryer with Heat Pump
- LED display + LED indicators
- Drying delay with a 24-hour shift
- My Cycle - program with personally saved favorite settings
- Timer - Delay start

DISHWASHERS

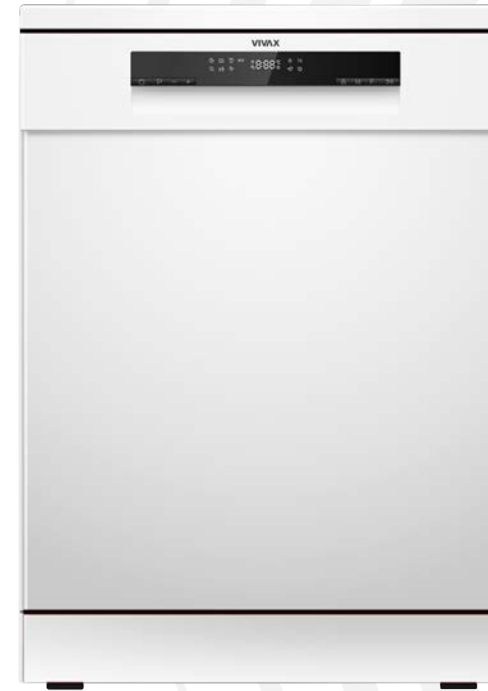




DW-601473C X

Capacity (dish sets)	14
Number of programs	7
Number of baskets	3
Dimensions – W x H x D (cm)	59,8 x 84,5 x 60,0

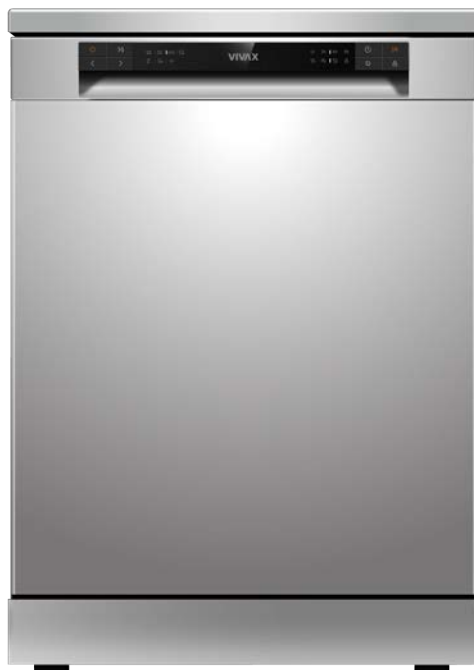
- Half-load function, quick wash, extra drying, Timer
- Top and bottom rotating spray arms + top spray arm
- Upper + lower basket with folding supports
- Folding glass rack
- Adjustable upper basket height
- Overflow protection
- Stainless steel door
- Noise level: 47 dB
- Energy efficiency: E



DW-601473C

Capacity (dish sets)	14
Number of programs	7
Number of baskets	3
Dimensions – W x H x D (cm)	59,8 x 84,5 x 60,0

- Half-load function, quick wash, extra drying, Timer
- Top and bottom rotating spray arms + top spray arm
- Upper + lower basket with folding supports
- Folding glass rack
- Adjustable upper basket height
- Overflow protection
- White door
- Noise level: 47 dB
- Energy efficiency: E



DW-601472C X

Capacity (dish sets)	14
Number of programs	7
Number of baskets	2
Dimensions – W x H x D (cm)	59,8 x 84,5 x 60,0

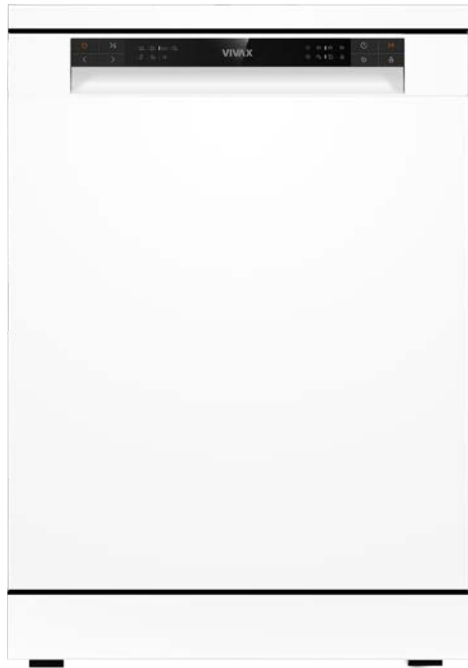
- Half-load function, extra drying, Timer
- Top and bottom rotating spray arms + top spray arm
- Upper + lower basket with fixed supports
- Folding cup rack in the upper basket
- Cutlery basket in the lower basket
- Overflow protection
- Stainless steel door
- Noise level: 49 dB
- Energy efficiency: E



DW-601472C S

Capacity (dish sets)	14
Number of programs	7
Number of baskets	2
Dimensions – W x H x D (cm)	59,8 x 84,5 x 60,0

- Half-load function, Extra drying, Timer
- Top and bottom rotating spray arms + top spray arm
- Upper + lower basket with fixed supports
- Folding cup rack in the upper basket
- Cutlery basket in the lower basket
- Overflow protection
- Silver door
- Noise level: 49 dB
- Energy efficiency: E



DW-601472C

Capacity (dish sets)	14
Number of programs	7
Number of baskets	2
Dimensions – W x H x D (cm)	59,8 x 84,5 x 60,0

- Half-load function, extra drying, Timer
- Top and bottom rotating spray arms + top spray arm
- Upper + lower basket with fixed supports
- Folding cup rack in the upper basket
- Cutlery basket in the lower basket
- Overflow protection
- White door
- Noise level: 49 dB
- Energy efficiency: E



DW-601262CL X

Capacity (dish sets)	12
Number of programs	6
Number of baskets	2
Dimensions – W x H x D (cm)	59,8 x 84,5 x 60,0

- Half-load function, Extra drying, Timer
- Top and bottom rotating spray arms
- Upper + lower basket with fixed supports
- Folding cup rack in the upper basket
- Cutlery basket in the lower basket
- Overflow protection
- Stainless steel door
- Noise level: 49 dB
- Energy efficiency: E



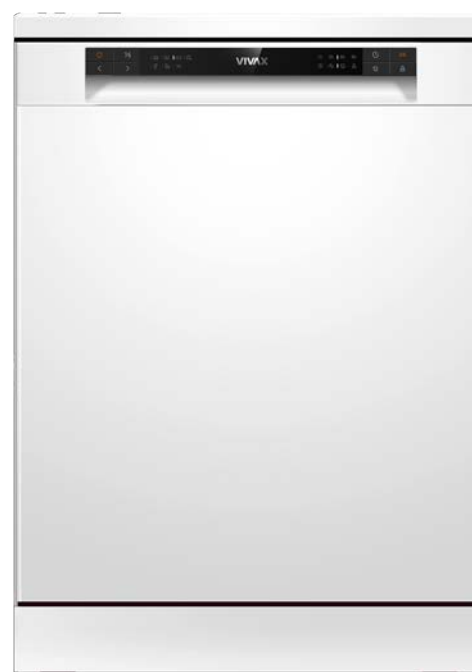
12 SETS

2 BASKETS

DW-601262CL S

Capacity (dish sets)	12
Number of programs	6
Number of baskets	2
Dimensions – W x H x D (cm)	59,8 x 84,5 x 60,0

- Half-load function, extra drying, Timer
- Top and bottom rotating spray arms
- Upper + lower basket with fixed supports
- Folding cup rack in the upper basket
- Cutlery basket in the lower basket
- Overflow protection
- Silver door
- Noise level: 49 dB
- Energy efficiency: E



12 SETS

2 BASKETS

DW-601262CL

Capacity (dish sets)	12
Number of programs	6
Number of baskets	2
Dimensions – W x H x D (cm)	59,8 x 84,5 x 60,0

- Half-load function, Extra drying, Timer
- Top and bottom rotating spray arms
- Upper + lower basket with fixed supports
- Folding cup rack in the upper basket
- Cutlery basket in the lower basket
- Overflow protection
- White door
- Noise level: 49 dB
- Energy efficiency: E



DW-45942B / DW-45942B S

Capacity (dish sets)	9
Number of programs	4
Number of baskets	2
Dimensions – W x H x D (cm)	44,8 x 84,5 x 60,0

- Half-load function
- LED indicators
- Top and bottom rotating spray arms
- Upper + lower basket with folding supports
- Cutlery basket
- Folding cup rack
- Adjustable upper basket height
- Noise level: 49 dB
- Energy efficiency: E



GLASS RACK*

The easily accessible glass rack extends fully, allowing for hassle-free loading and unloading.

FOLDABLE PLATE RACK*

The flexibility of the dishwasher is enhanced by adjustable racks with foldable plate holders, maximizing space usage for plates, cups, or glasses.

CUTLERY BASKET*

The cutlery basket keeps all cutlery organized, enhances washing efficiency, and makes storage and sorting easier.

For precise specifications, refer to the technical sheet of your model.

REFRIGERATORS



VIVAX





EASY-TO-ACCESS, STRONG AND DURABLE SHELVES

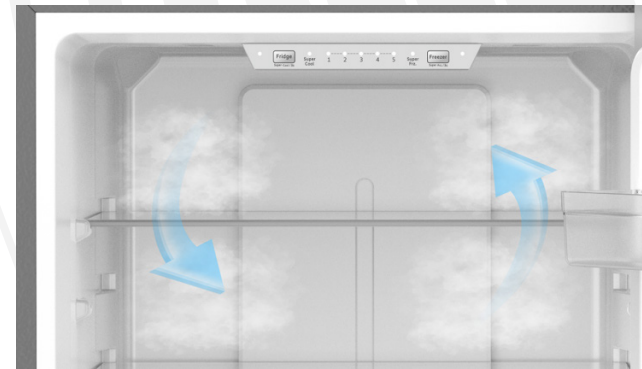
If you need more space in the refrigerator, shelves in VIVAX refrigerators are easily removable as well as adjustable. They are made of durable glass*, which not only offers high load capacity but also has an elegant appearance and is easy to maintain.

However, it's important to be cautious about the weight of items placed on the shelves. If possible, distribute the load evenly across the entire shelf surface. Each shelf can be adjusted in height, allowing for optimal organization of items in the refrigerator.

MULTI AIR FLOW

Even Temperature Distribution

The Air Cooling System ensures consistent temperature distribution, keeping every corner of the freezer frost-free. No more manual defrosting—just effortless cooling and fresher food for longer.



LOW FROST TECHNOLOGY*

The walls inside the refrigerator and freezer are smooth and free from visible evaporators where ice and frost usually accumulate. This type of refrigerator is easier to maintain and requires less frequent defrosting.

NO FROST TECHNOLOGY*

No more tedious removing of solid ice accumulation on the walls of the refrigerator or freezer. With VIVAX 'NO FROST' technology, your appliance does not require any periodic defrosting. The walls remain clean, free from ice accumulation, and the atmosphere inside the freezer is free from harmful moisture, which significantly enhances the longevity of your food.

*For the available technology of your model, please refer to the technical specifications.

REFRIGERATORS



CFS-516DFD X

Refrigerator / Freezer Capacity (L)	347 / 169
Energy Efficiency	E
Noise Level (dB)	35
Dimensions – W x H x D (cm)	83,5 x 190,0 x 65,0

- NO FROST and NO FROST Multi Air Flow technology for food freshness
- Fast Freeze and Fast Cool functions
- Digital control
- LED lighting
- Drawer with adjustable temperature (fruits and vegetables / beverages / meat and fish)
- Freezer drawers for easy access to items
- Metal rear panel with „ADT FRESH“ technology („Adsorption Technology“) for maintaining freshness
- Odor removal with carbon filter
- **Dark inox material doors and drawers**



CF-378IDNF BG

Refrigerator / Freezer Capacity (L)	256 / 122
Energy Efficiency	E
Noise Level (dB)	38
Dimensions – W x H x D (cm)	59,5 x 197,0 x 65,5

- NO FROST technology for refrigerator and freezer
- NO FROST Multi Air Flow technology for food freshness
- Fast Freeze and Fast Cool functions
- Digital control
- LED lighting
- Holiday mode
- Door open alarm
- **Elegant black glass design**



CF-489EDNF BX

Refrigerator / Freezer Capacity (L)	235 / 109
Energy Efficiency	E
Noise Level (dB)	38
Dimensions – W x H x D (cm)	60,0 x 195,0 x 65,8

- NO FROST technology for refrigerator and freezer
- NO FROST Multi Air Flow technology for food freshness
- Digital control
- LED lighting
- LCD display
- Fresh zone
- Door Opening Alarm
- **Dark inox**



CF-355ENF BX

Refrigerator / Freezer Capacity (L)	201 / 89
Energy Efficiency	E
Noise Level (dB)	38
Dimensions – W x H x D (cm)	59,5 x 185,0 x 60,0

- NO FROST technology for refrigerator and freezer
- NO FROST Multi Air Flow technology for food freshness
- Digital control
- LED lighting
- Fresh zone
- Door Opening Alarm
- **Dark inox**



CF-310EDNF X

Refrigerator / Freezer Capacity (L)	224 / 86
Energy Efficiency	E
Noise Level (dB)	42
Dimensions — W x H x D (cm)	59,5 x 188,0 x 63,0

- NO FROST technology for refrigerator and freezer
- NO FROST Multi Air Flow technology for food freshness
- Fast Freeze function
- Digital control
- LED lighting
- LCD display
- Stainless steel doors



CF-310ENF X

Refrigerator / Freezer Capacity (L)	224 / 86
Energy Efficiency	E
Noise Level (dB)	42
Dimensions — W x H x D (cm)	59,5 x 188,0 x 63,0

- NO FROST technology for refrigerator and freezer
- NO FROST Multi Air Flow technology for food freshness
- Fast Freeze function
- Digital control
- LED operation indicators inside the refrigerator
- LED lighting
- Stainless steel doors



CF-259ELF W / CF-259ELF S

Refrigerator / Freezer Capacity (L)	197 / 65
Energy Efficiency	E
Noise Level (dB)	39
Dimensions – W x H x D (cm)	54,5 x 180,0 x 58,0

- Conventional cooling technology
- Low Frost technology for the freezer
- Mechanical thermostat control
- LED lighting
- White doors (W) / Silver doors (S)



CF-174ELF W / CF-174ELF S

Refrigerator / Freezer Capacity (L)	115 / 59
Energy Efficiency	E
Noise Level (dB)	39
Dimensions – W x H x D (cm)	47,0 x 150,0 x 51,1

- Conventional cooling technology
- Low Frost technology for the freezer
- Mechanical thermostat control
- LED lighting
- White doors (W) / Silver doors (S)



DD-207E X / DD-207E S / DD-207E W

Refrigerator / Freezer Capacity (L)	163 / 41
Energy Efficiency	E
Noise Level (dB)	40
Dimensions – W x H x D (cm)	54,5 x 143,0 x 55,0

- Conventional cooling technology
- Mechanical thermostat control
- Stainless steel doors (X) / Silver doors (S) / White doors (W)



DD-235E W / DD-235E S / DD-235E X

Refrigerator / Freezer Capacity (L)	194 / 41
Energy Efficiency	E
Noise Level (dB)	40
Dimensions – W x H x D (cm)	55,0 x 159,0 x 55,0

- Conventional cooling technology
- Mechanical thermostat control
- Stainless steel doors (X) / Silver doors (S) / White doors (W)



VL-235E W

Refrigerator / Freezer Capacity (L)	224 / 86
Energy Efficiency	E
Noise Level (dB)	40
Dimensions – W x H x D (cm)	55,0 x 142,0 x 55,0

- Conventional cooling technology
- Mechanical thermostat control



TTR-93E+

Refrigerator / Freezer Capacity (L)	68 / 12
Energy Efficiency	E
Noise Level (dB)	41
Dimensions – W x H x D (cm)	47,2 x 85,0 x 45,0

- Conventional cooling
- Freezer star rating ****
- LED lighting
- Mechanical thermostat control
- Glass shelves



TTR-93E

Refrigerator / Freezer Capacity (L)	93 / 10
Energy Efficiency	E
Noise Level (dB)	41
Dimensions – W x H x D (cm)	47,2 x 85,0 x 45,0

- Conventional cooling
- Freezer compartment
- Mechanical thermostat control



TTL-93E

Refrigerator / Freezer Capacity (L)	93
Energy Efficiency	E
Noise Level (dB)	40
Dimensions – W x H x D (cm)	47,2 x 85,0 x 45,0

- Conventional cooling
- Mechanical thermostat control
- Glass shelves



MF-45E

Refrigerator / Freezer Capacity (L)	43 / 45*
Energy Efficiency	E
Noise Level (dB)	41 / 38*
Dimensions – W x H x D (cm)	47,2 x 49,2 x 45

- Conventional cooling
- Mechanical thermostat control

FREEZERS



HORIZONTAL FREEZERS



CFR-418

Net freezer volume (L)	418
Energy efficiency	E
Noise level (dB)	44
Dimensions – W x H x D (cm)	141,6 x 82,5 x 75,0

- Freezer star rating ****
- Digital thermostat control
- Conventional cooling
- 2 drawers/baskets in the freezer
- Climate class SN / N / ST / T
- Top-opening door
- **Dual mode: Freezing / Cooling**



CFR-293

Net freezer volume (L)	293
Energy efficiency	E
Noise level (dB)	41
Dimensions – W x H x D (cm)	106,5 x 84,4 x 59,2

- Freezer star rating ****
- Mechanical thermostat control
- Conventional cooling
- 2 drawers/baskets in the freezer
- Climate class SN / N / ST / T
- Top-opening door
- **Dual mode: Freezing / Cooling**



CFR-250

Net freezer volume (L)	249
Energy efficiency	E
Noise level (dB)	41
Dimensions – W x H x D (cm)	98,5 x 85,0 x 60,0

- Freezer star rating ****
- Mechanical thermostat control
- Conventional cooling
- 2 drawers/baskets in the freezer
- Climate class SN / N / ST / T
- Top-opening door
- **Dual mode: Freezing / Cooling**



CFR-199

Net freezer volume (L)	198
Energy efficiency	E
Noise level (dB)	41
Dimensions – W x H x D (cm)	77,0 x 85,0 x 56,0

- Freezer star rating ****
- Mechanical thermostat control
- Conventional cooling
- 1 drawer/basket in the freezer
- Climate class SN / N / ST
- Top-opening door
- **Dual mode: Freezing / Cooling**



D-SHAPE FREEZING TECHNOLOGY

With two-way cooling technology, VIVAX freezers effectively maintain temperature within the walls of the unit, preventing external conditions from affecting the interior. Whether items are in movable baskets or freely placed inside the unit, each is cooled and preserved equally.

CFR-143

Net freezer volume (L)	143
Energy efficiency	E
Noise level (dB)	40
Dimensions – W x H x D (cm)	60,0 x 85,0 x 56,0

- Freezer star rating ****
- Mechanical thermostat control
- Conventional cooling
- 1 drawer/basket in the freezer
- Climate class SN / N / ST
- Top-opening door
- **Dual mode: Freezing / Cooling**



TWO-WAY COOLING TECHNOLOGY

The proper arrangement of evaporators within the walls ensures that items freeze evenly regardless of their placement.

VERTICAL FREEZERS



VF-238ENF W

Net freezer volume (L)	238
Energy efficiency	E
Noise level (dB)	41
Dimensions – W x H x D (cm)	59,5 x 172 x 63

- Freezer star rating ****
- Digital thermostat control
- No Frost
- Super freezing/cooling mode
- 2 shelves with cover in the freezer
- 5 drawers/baskets in the freezer
- Climate class SN/N/ST/T
- **Dual mode: Freezing/Cooling**



VF-157E W

Net freezer volume (L)	160
Energy efficiency	E
Noise level (dB)	42
Dimensions – W x H x D (cm)	55 x 142 x 55

- Freezer star rating ****
- Mechanical thermostat control
- Conventional cooling
- 1 shelf in the freezer
- 5 drawers/baskets in the freezer
- Climate class N / ST
- Reversible door



TTF-60E

Net freezer volume (L)	60
Energy efficiency	E
Noise level (dB)	41
Dimensions – W x H x D (cm)	47,5 x 84,5 x 44,6

- Freezer star rating ****
- Mechanical thermostat control
- Conventional cooling
- 3 drawers/baskets in the freezer
- Climate class N / ST
- Reversible door



MFR-32E

Net freezer volume (L)	31
Energy efficiency	E
Noise level (dB)	41
Dimensions – W x H x D (cm)	47,2 x 49,2 x 45

- Freezer star rating ****
- Mechanical thermostat control
- Conventional cooling
- 1 shelf in the freezer
- Climate class N / ST
- Reversible door

WINE COOLER





CW-144D46 GB

Cooling technology	No Frost
Total net volume (L)	144
Number of standard bottles / Number of zones	46 / 2
Dimensions – W x H x D (cm)	59,5 x 86,5 x 65,0

- Freestanding wine cooler
- No Frost Multi Air Flow system
- Reversible door
- Stainless steel handle
- Digital control for each zone with LED display
- Noise level 39 dB
- LED lighting
- Door open alarm
- Glass door with UV filter

The CW-144D46 GB wine cooler has two temperature zones that can be adjusted independently via digital controls in the range from 5°C to 18°C. The refrigerator has LED highly efficient lighting of each temperature compartment and an alarm function for an open door and inappropriate temperature inside the refrigerator compartment.

The elegance of the design is also contributed by the refrigerator door made of dark glass with a UV filter, which contributes to the preservation of wine and on which the attractive stainless steel handle stands out.

SELF STANDING COOKERS



COMBINED COOKERS



FC-31602IF X

Cooking Hob	3x Gas Burners + 1x Electric Hot Plate
Oven Capacity (L)	64
Oven Programs	5
Dimensions – W x H x D (cm)	59,5 x 88,0 x 65,0

- 3x Gas Burners
- 1x Electric Hot Plate
- Gas Leak Protection (FFD)
- Electric Ignition with Button
- Enamelled Racks
- Oven Convection Fan
- Maximum Oven Temperature: 250°C
- Energy Efficiency: A
- Metal lid cover



FC-31602 BLX

Cooking Hob	3x Gas Burners + 1x Electric Hot Plate
Oven Capacity (L)	64
Oven Programs	3
Dimensions – W x H x D (cm)	59,5 x 88,0 x 65,0

- 3x Gas Burners
- 1x Electric Hot Plate
- Gas Leak Protection (FFD)
- Electric Ignition with Button
- Enamelled Racks
- Maximum Oven Temperature: 250°C
- Energy Efficiency: A
- Metal lid cover



FC-31602IFS WH

Cooking Hob	3x Gas Burners + 1x Electric Hot Plate
Oven Capacity (L)	64
Oven Programs	5
Dimensions – W x H x D (cm)	59,5 x 88,0 x 65,0

- 3x Gas Burners
- 1x Electric Hot Plate
- Gas Leak Protection (FFD)
- Electric Ignition with Button
- Enamelled Racks
- Oven Convection Fan
- Maximum Oven Temperature: 250°C
- Energy Efficiency: A
- Flap door

FC-31602I WH

Cooking Hob	3x Gas Burners + 1x Electric Hot Plate
Oven Capacity (L)	64
Oven Programs	3
Dimensions – W x H x D (cm)	59,5 x 88,0 x 65,0

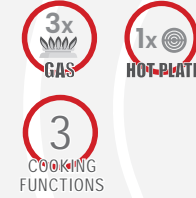
- 3x Gas Burners
- 1x Electric Hot Plate
- Gas Leak Protection (FFD)
- Electric Ignition with Button
- Enamelled Racks
- Maximum Oven Temperature: 250°C
- Energy Efficiency: A



FC-31602LI WH

Cooking Hob	3x Gas Burners + 1x Electric Hot Plate
Oven Capacity (L)	64
Oven Programs	3
Dimensions – W x H x D (cm)	59,5 x 88,0 x 65,0

- 3x Gas Burners
- 1x Electric Hot Plate
- Gas Leak Protection (FFD)
- Enamelled Racks
- Maximum Oven Temperature: 250°C
- Energy Efficiency: A
- Ignition button
- Lid Cove



FC-31502I WH

Cooking Hob	3x Gas Burners + 1x Electric Hot Plate
Oven Capacity (L)	52
Oven Programs	3
Dimensions – W x H x D (cm)	49,5 x 88,0 x 65,0

- 3x Gas Burners
- 1x Electric Hot Plate
- Gas Leak Protection (FFD)
- Enamelled Racks
- Maximum Oven Temperature: 250°C
- Energy Efficiency: A
- Ignition button



FC-22602i WH

Cooking Hob	2x Gas Burners + 2x Electric Hot Plate
Oven Capacity (L)	64
Oven Programs	3
Dimensions – W x H x D (cm)	59,5 x 88,0 x 65,0

- 2x Gas Burners
- 2x Electric Hot Plate
- Gas Leak Protection (FFD)
- Enamelled Racks
- Maximum Oven Temperature: 250°C
- Energy Efficiency: A
- Ignition button



FC-22502 WH

Cooking Hob	2x Gas Burners + 2x Electric Hot Plate
Oven Capacity (L)	52
Oven Programs	3
Dimensions – W x H x D (cm)	49,5 x 88,0 x 65,0

- 2x Gas Burners
- 2x Electric Hot Plate
- Gas Leak Protection (FFD)
- Enamelled Racks
- Maximum Oven Temperature: 250°C
- Energy Efficiency: A



FC-04602VCFD S

Cooking Hob	4x Ceramic Hot Plate
Oven Capacity (L)	64
Oven Programs	3
Dimensions – W x H x D (cm)	59,5 x 88,0 x 65,0

- 4x Ceramic Hot Plate
- Enamelled Racks
- Maximum Oven Temperature: 250°C
- Energy Efficiency: A
- Ignition button
- Lid Cover



FC-04602VCFD X

Cooking Hob	4x Ceramic Hot Plate
Oven Capacity (L)	64
Oven Programs	5
Dimensions – W x H x D (cm)	59,5 x 88,0 x 65,0

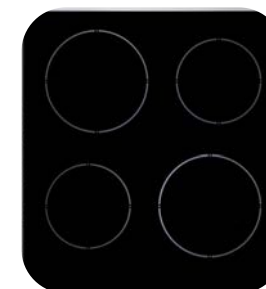
- 4x Ceramic Hot Plate
- Electric Ignition with Button
- Enamelled Racks
- Oven Convection Fan
- Maximum Oven Temperature: 250°C
- Energy Efficiency: A
- Flap door



FC-04602VCF WH

Cooking Hob	4x Ceramic Hot Plate
Oven Capacity (L)	64
Oven Programs	3
Dimensions – W x H x D (cm)	59,5 x 88,0 x 65,0

- 4x Ceramic Hot Plate
- Electric Ignition with Button
- Enamelled Racks
- Maximum Oven Temperature: 250°C
- Energy Efficiency: A



FC-04502VCF WH

Cooking Hob	4x Ceramic Hot Plate
Oven Capacity (L)	52
Oven Programs	5
Dimensions – W x H x D (cm)	49,5 x 88,0 x 65,0

- 4x Ceramic Hot Plate
- Enamelled Racks
- Maximum Oven Temperature: 250°C
- Energy Efficiency: A

ELECTRIC COOKERS



4x
HOT-PLATE

3
COOKING
FUNCTIONS



TEMPERATURE CONTROL

The rotary knobs on this oven allow for easy and precise adjustment of temperature and cooking modes. With an ergonomic design, they provide comfortable use and maximum control during cooking.



4 HOT PLATES

Four Hot plates of different sizes enable simultaneous cooking of multiple dishes. Designed for practicality and efficiency, this arrangement meets all your culinary needs.

FC-04602S WH

Cooking Hob	4x Electric Hot Plate
Oven Capacity (L)	64
Oven Programs	3
Dimensions – W x H x D (cm)	59,5 x 88,0 x 65,0

- 4x Electric Hot Plate
- Enamelled Racks
- Maximum Oven Temperature: 250°C
- Energy Efficiency: A
- Flap door





4x
HOT-PLATE

3
COOKING
FUNCTIONS



FC-04502 WH

Cooking Hob	4x Electric Hot Plate
Oven Capacity (L)	52
Oven Programs	3
Dimensions – W x H x D (cm)	49,5 x 88,0 x 65,0

- 4x Electric Hot Plate
- Enamelled Racks
- Maximum Oven Temperature: 250°C
- Energy Efficiency: A

GAS COOKERS



FC-40602IS WH

Cooking Hob	4x Gas Burners
Oven Capacity (L)	64
Oven Programs	3
Dimensions – W x H x D (cm)	59,5 x 88,0 x 65,0

- 4x Gas Burners
- Gas Leak Protection (FFD)
- Electric Ignition with Button
- Enamelled Racks
- Maximum Oven Temperature: 250°C
- Energy Efficiency: A
- Flap door



FC-04502I WH

Cooking Hob	4x Gas Burners
Oven Capacity (L)	52
Oven Programs	3
Dimensions – W x H x D (cm)	50,0 x 85,0 x 65,0

- 4x Gas Burners
- Gas Leak Protection (FFD)
- Electric Ignition with Button
- Enamelled Racks
- Maximum Oven Temperature: 250°C
- Energy Efficiency: A

BUILT-IN OVENS





BO-808BFD G

Oven Capacity (L)	80
Power (W)	2300
Number of Cooking Programs	7
Dimensions – W x H x D (cm)	59,5 X 59,5 X 57,5

- Oven type: Fan
- Energy Efficiency A
- Digital White LCD Display
- Digital timer
- „Pop-In/Out“ Retractable Knobs
- Removable Wire Side Racks
- Maximum Oven Temperature 240 °C



BO-808BFD X

Oven Capacity (L)	80
Power (W)	2300
Number of Cooking Programs	7
Dimensions – W x H x D (cm)	59,5 X 59,5 X 57,5

- Oven type: Fan
- Energy Efficiency A
- Digital White LCD Display
- Digital timer
- „Pop-In/Out“ Retractable Knobs
- Removable Wire Side Racks
- Maximum Oven Temperature 240 °C



BO-806BFTM G

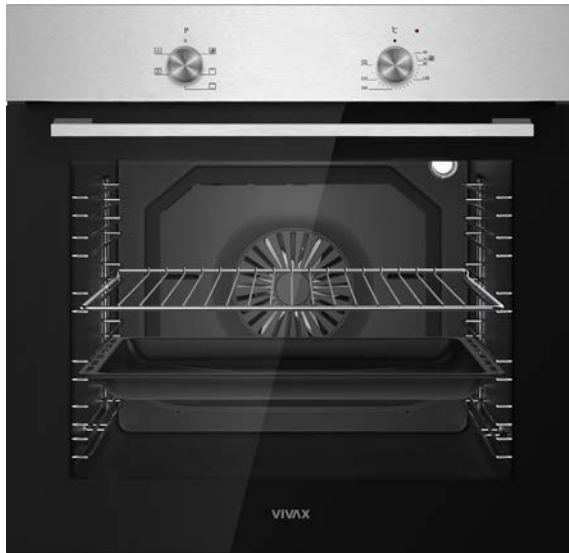
Oven Capacity (L)	80
Power (W)	2300
Number of Cooking Programs	6
Dimensions – W x H x D (cm)	59,5 X 59,5 X 57,5

- Oven type: Fan
- Energy Efficiency A
- Mechanical timer
- „Pop-In/Out“ Retractable Knobs
- Removable Wire Side Racks
- Maximum Oven Temperature 240 °C

BO-806BFTM X

Oven Capacity (L)	80
Power (W)	2300
Number of Cooking Programs	6
Dimensions – W x H x D (cm)	59,5 X 59,5 X 57,5

- Energy Efficiency A
- Mechanical timer
- „Pop-In/Out“ Retractable Knobs
- Removable Wire Side Racks
- Maximum Oven Temperature 240 °C



6
COOKING
FUNCTIONS

BO-806BFM X

Oven Capacity (L)	80
Power (W)	2300
Number of Cooking Programs	6
Dimensions – W x H x D (cm)	59,5 X 57,5 X 59,5

- Energy Efficiency A
- „Pop-In/Out“ Retractable Knobs
- Removable Wire Side Racks
- Maximum Oven Temperature 240 °C



5
COOKING
FUNCTIONS

BO-606FTM G

Oven Capacity (L)	60
Power (W)	2200
Number of Cooking Programs	5
Dimensions – W x H x D (cm)	59,5 X 57,5 X 59,5

- Energy Efficiency A
- Mechanical timer
- Removable Wire Side Racks
- Maximum Oven Temperature 240 °C



BO-606FTM X

Oven Capacity (L)	60
Power (W)	2200
Number of Cooking Programs	5
Dimensions – W x H x D (cm)	59,5 X 57,5 X 59,5

- Oven type: Fan
- Energy Efficiency A
- Mechanical timer
- Removable Wire Side Racks
- Maximum Oven Temperature 240 °C

BO-624MS G

Oven Capacity (L)	62
Power (W)	2200
Number of Cooking Programs	3
Dimensions – W x H x D (cm)	59,5 X 57,5 X 59,5

- Oven type: Static
- Energy Efficiency A
- Embossed racks
- Maximum Oven Temperature 240 °C



3
COOKING
FUNCTIONS

BO-624MS X

Oven Capacity (L)	62
Power (W)	2200
Number of Cooking Programs	3
Dimensions – W x H x D (cm)	59,5 X 57,5 X 59,5

- Oven type: Static
- Energy Efficiency A
- Embossed racks
- Maximum Oven Temperature 240 °C

BUILT-IN MICROWAVE OVEN





MWOB-2020G G

Capacity: (L)	20
Power: (W)	1250
Control Function:	Digital
Dimensions – W x H x D (cm)	59,5 x 34,3 x 38,2

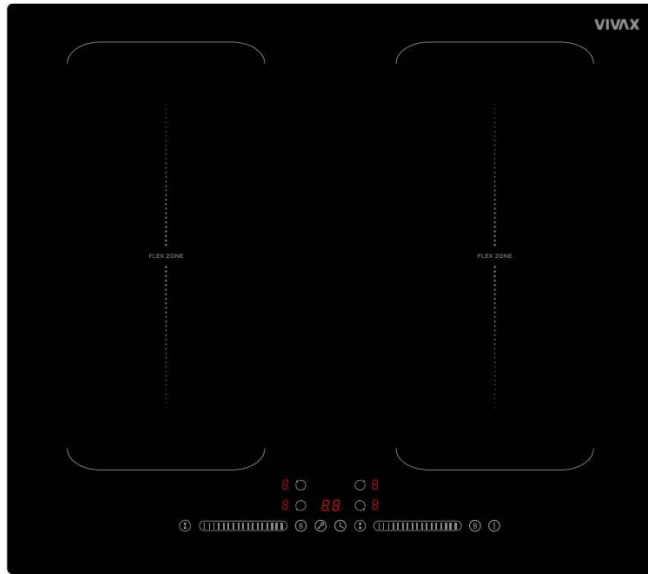
- LED Display
- Grill Function
- 8 Auto-Cooking Programs
- Defrost
- Child Safety Lock

BUILT-IN HOBS





induction



BH-04M2FZIN

Cooking Hob	2x Flexi zone
Voltage	220-240 V AC / 380-415V 3N
Power (W)	7400
Dimensions – W x H x D (cm)	59,0 x 5,5 (0,4) x 52,0

- Flexible cooking zone, 18 x 38 cm
- Automatic safety shutdown if no pan is detected
- Residual heat indicator
- Child safety lock
- Boost function
- Pause cooking
- Timer for reminder and time-based shutdown of one or more zones, 1-99 min
- Error detection

induction

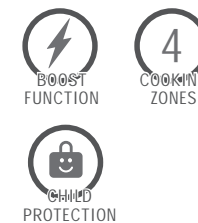
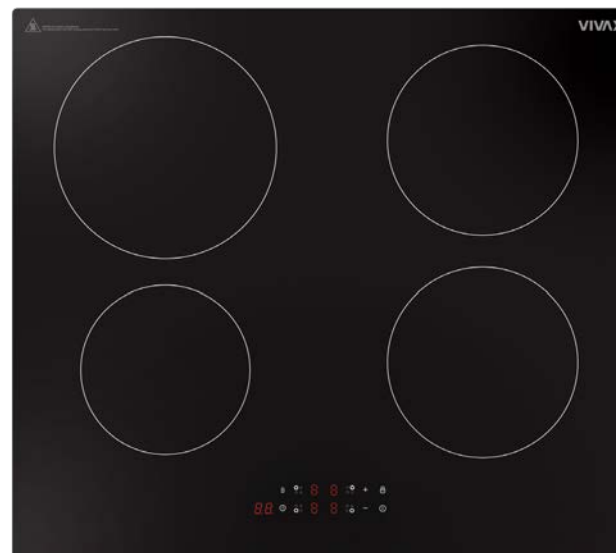


BH-04MFZIN

Cooking Hob	4x induction + Flexi zone
Voltage	220-240 V AC / 380-415V 3N
Power (W)	7400
Dimensions – W x H x D (cm)	59,0 x 5,5 (0,4) x 52,0

- Flexible cooking zone, 18 x 38 cm
- Automatic safety shutdown if no pan is detected
- Residual heat indicator
- Child safety lock
- Boost function
- Pause cooking
- Timer for reminder and time-based shutdown of one or more zones, 1-99 min
- Error detection

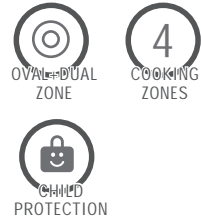
induction



BH-04MIN

Cooking Hob	4x induction
Voltage	220-240 V AC / 380-415V 3N
Power (W)	7200
Dimensions – W x H x D (cm)	59,0 x 6,2 (0,4) x 52,0

- Automatic safety shut-off if no cookware is detected
- Residual heat indicator for cooling down
- Child lock
- Boost function
- Cooking pause
- Timer for reminders and time-based shut-off for one or more zones (1-99 min)
- Error detection



BH-04MDOVC

Cooking Hob	4x staklokeramika + Dual zone + Oval zone
Voltage	220-240 V AC / 380-415V 3N
Power (W)	6000-7200
Dimensions – W x H x D (cm)	59,0 x 5,1 (0,4) x 52,0

- Automatic safety shut-off
- Overheating protection
- Residual heat indicator for cooling down
- Child lock
- Timer - Reminder
- Timer with automatic shut-off (max 99 min)



BH-04MVC

Cooking Hob	4x ceramic glass
Voltage	220-240 V AC / 380-415V 3N
Power (W)	5500-6600
Dimensions – W x H x D (cm)	59,0 x 5,1 (0,4) x 52,0

- Automatic safety shut-off
- Overheating protection
- Residual heat indicator for cooling down
- Child lock
- Timer - Reminder
- Timer with automatic shut-off (max 99 min)

induction



induction



BH-02MFZIN

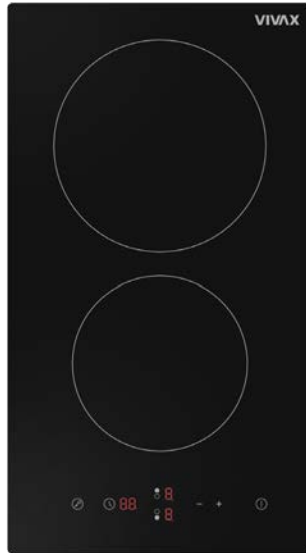
Cooking Hob	Flexi zone
Voltage	220-240 V AC
Power (W)	3500
Dimensions – W x H x D (cm)	28,8 x 5,5 (0,4) x 52,0

- Automatic safety shut-off if no pan is detected
- Residual heat indicator for cooling down
- Child lock
- Boost function
- Pause cooking
- Timer
- Time-based shut-off for one or more zones (1-99 min)
- Error detection

BH-02MIN

Cooking Hob	2x induction
Voltage	220-240 V AC
Power (W)	3500
Dimensions – W x H x D (cm)	28,8 x 5,5 (0,4) x 52,0

- Automatic safety shut-off if no pan is detected
- Residual heat indicator for cooling down
- Child lock
- Boost function
- Pause cooking
- Timer
- Time-based shut-off for one or more zones (1-99 min)
- Error detection



BH-02MVC

Cooking Hob	2x ceramic glass
Voltage	220-240 V AC
Power (W)	2700-3300
Dimensions – W x H x D (cm)	28,8 x 5,5 (0,4) x 52,0

- Automatic safety shut-off
- Overheat protection
- Residual heat indicator
- Child safety lock
- Timer with automatic shut-off (max. 99 min)
- Timer

KITCHEN HOODS





CHO-60CSD115T GB

Type of Hood	Chimney
Motor Power (W)	115
Air Flow Speeds	3
Control	Digital

- LED Lighting
- Filter Type: 5-Layer Aluminum
- Noise Level: 47/66 dB (min/max speed)
- Airflow: 379 m³/h
- Exhaust Duct Diameter: 15 cm
- Material: Glass
- Dimensions: W 59.5 x H 74.9-87.7 x D 41.2 cm
- Energy Efficiency: A



CHO-60CSD100T GB

Type of Hood	Chimney
Motor Power (W)	100
Air Flow Speeds	3
Control	Digital

- LED Lighting
- Filter Type: 5-Layer Aluminum
- Noise Level: 59/67 dB (min/max speed)
- Airflow: 272 m³/h
- Exhaust Duct Diameter: 12 cm
- Material: Glass
- Dimensions: W 59.5 x H 72.2-87.7 x D 37.3 cm
- Energy Efficiency: A



CHO-60CHC115T B

Type of Hood	Chimney
Motor Power (W)	115
Air Flow Speeds	3
Control	Mechanical

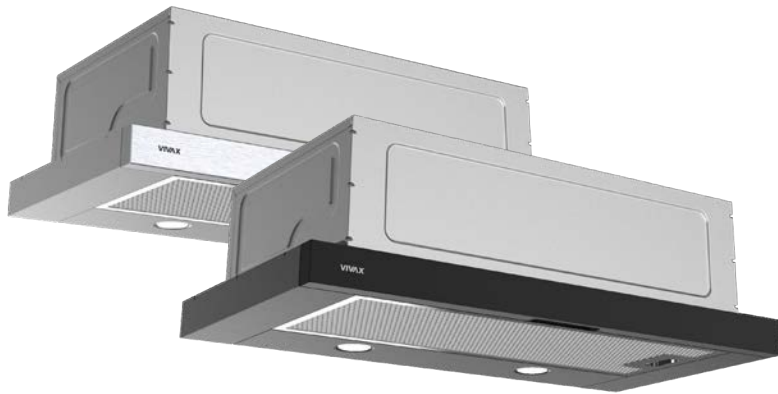
- LED Lighting
- Filter Type: 5-Layer Aluminum
- Noise Level: 46/67 dB (min/max speed)
- Airflow: 452 m³/h
- Exhaust Duct Diameter: 15 cm
- Material: Painted metal
- Dimensions: W 59.5 x H 69.5-88.0 x D 45.3 cm
- Energy Efficiency: A



CHO-60CHA100T X

Type of Hood	Chimney
Motor Power (W)	100
Air Flow Speeds	3
Control	Mechanical

- LED Lighting
- Filter Type: 3-Layer Aluminum
- Noise Level: 62/68 dB (min/max speed)
- Airflow: 283 m³/h
- Exhaust Duct Diameter: 12 cm
- Material: Stainless Steel
- Dimensions: W 59.6 x H 66.0-87.0 x D 45,3 cm
- Energy Efficiency: D



CHO-60PT100T X / CHO-60PT100T B

Type of Hood	Built-in Telescopic
Motor Power (W)	100
Air Flow Speeds	2
Control	Mechanical

- Built-in Telescopic
- Mechanical
- LED Lighting
- Filter Type: 3-Layer Aluminum
- Noise Level: 55/64 dB (min/max speed)
- Airflow: 289 m³/h
- Exhaust Duct Diameter: 12 cm
- Material: Stainless Steel
- Dimensions: W 59,5 x H 17,6 x D 30,0-42,0 cm
- Energy Efficiency: D



CHO-60BI100T X / CHO-60BI100T B

Type of Hood	Built-in
Motor Power (W)	100
Air Flow Speeds	3
Control	Mechanical

- LED Lighting
- Filter Type: 3-Layer Aluminum
- Noise Level: 60/67 dB (min/max speed)
- Airflow: 281 m³/h
- Exhaust Duct Diameter: 12 cm
- Material: Stainless Steel
- Dimensions: W 59,5 x H 17,6 x D 30,0-42,0 cm
- Energy Efficiency: D

BUILT-IN DISHWASHERS





DWB-601473D

Dish Capacity (Sets)	14
Number of Programs	7
Number of Baskets	3
Dimensions – W x H x D (cm)	59,8 x 81,5 x 55,0

- Programs: Intensive, Universal, ECO, 90 min, Quick Wash
- Timer
- Half Load function
- LED Indicators
- Top and bottom rotating spray arms + top spray arm
- Overflow Protection + **Aqua Stop**
- Energy Efficiency: E
- Noise Level: 47 dB



DWB-601472D

Dish Capacity (Sets)	9
Number of Programs	5
Number of Baskets	2
Dimensions – W x H x D (cm)	59,8 x 81,5 x 55,0

- Programs: Intensive, Universal, ECO, 90 min, Quick Wash
- Timer
- Half Load function
- LED Indicators
- Top and bottom rotating spray arms + top spray arm
- Overflow Protection + **Aqua Stop**
- Energy Efficiency: E
- Noise Level: 47 dB



DWB-601372D

Dish Capacity (Sets)	13
Number of Programs	7
Number of Baskets	2
Dimensions – W x H x D (cm)	59,8 x 81,5 x 55,0

- Programs: Intensive, Universal, ECO, 90 min, Quick Wash
- Timer
- Half Load function
- LED Indicators
- Top and bottom rotating spray arms + top spray arm
- Overflow Protection + **Aqua Stop**
- Dimensions – W x H x D: 59.8 x 81.5 x 55.0 cm
- Energy Efficiency: E
- Noise Level: 47 dB



DWB-601252C

Dish Capacity (Sets)	12
Number of Programs	5
Number of Baskets	2
Dimensions – W x H x D (cm)	59,8 x 81,5 x 55,0

- Programs: Intensive, Universal, ECO, 90 min, Quick Wash
- Timer
- Half Load function
- LED Indicators
- Upper Rotating Spray Arm
- Overflow Protection + **Aqua Stop**
- Dimensions – W x H x D: 59.8 x 81.5 x 55.0 cm
- Energy Efficiency: E
- Noise Level: 49 dB



DWB-451072D

Dish Capacity (Sets)	10
Number of Programs	7
Number of Baskets	2
Dimensions – W x H x D (cm)	44,8 x 81,5 x 55,0

- Programs: Intensive, Universal, ECO, 90 min, Quick Wash
- Timer
- Half Load function
- LED Indicators
- Upper Rotating Spray Arm
- Overflow Protection + **Aqua Stop**
- Dimensions – W x H x D: 44.8 x 81.5 x 55.0 cm
- Energy Efficiency: E
- Noise Level: 49 dB



DWB-450952C

Dish Capacity (Sets)	9
Number of Programs	5
Number of Baskets	2
Dimensions – W x H x D (cm)	44,8 x 81,5 x 55,0

- Programs: Intensive, Universal, ECO, 90 min, Quick Wash
- Timer
- Half Load function
- LED Indicators
- Upper Rotating Spray Arm
- Overflow Protection + **Aqua Stop**
- Energy Efficiency: E
- Noise Level: 49 dB

WATER HEATERS





EWH-80VM

Volume (L)	80
Heating Power (W)	1500
Type of Tank	Enamelled Tank
Dimensions – W x H x D (cm)	45,0 x 80,5 x 47,0

- Energy Efficiency: C
- Capacity: 90 L of mixed water at 40°C
- Thermostat Control: Rotary Knob
- Load Profile: M
- Installation: Vertical



EWH-50VM

Volume (L)	50
Heating Power (W)	1500
Type of Tank	Enamelled Tank
Dimensions – W x H x D (cm)	38,5 x 77,0 x 40,5

- Energy Efficiency: C
- Capacity: 76 L of mixed water at 40°C
- Thermostat Control: Rotary Knob
- Load Profile: M
- Installation: Vertical

REFRIGERATORS



MODEL	CFS-516DFD X	CF-378DNF BG	CF-344EDNF DX	CF-290ENF DX	CF-310EDNF X	CF-310ENF X	CF-259ELF W
Base Dimensions (cm)	84 x 190	60 x 197	60 x 195	60 x 185	60 x 188	60 x 188	60 x 188
Total Capacity (L)	516	378	344	290	310	310	262
Refrigerator (L)	347	256	235	201	224	224	197
Freezer (L)	169	122	109	89	86	86	65
Climate Class	SN / N / ST / T	SN / N / ST / T	SN / N / ST / T	SN / N / ST / T	SN / N / ST	SN / N / ST	N / ST
Freezer Star Rating	****	****	****	****	****	****	****
Energy Efficiency (A-G) / Noise Level (dB)	E / 35	E / 38	E / 38	E / 38	E / 42	E / 42	E / 39
Refrigerator Technology	NO FROST	NO FROST	NO FROST	NO FROST	NO FROST	NO FROST	Conventional cooling
Freezer Technology	NO FROST	NO FROST	NO FROST	NO FROST	NO FROST	NO FROST	Low Frost
Material / Color	Inox / Inox Black	Glass / Black	Dark Inox	Dark Inox	Inox / Inox	Inox / Inox	Painted metal / White
Door Opening	-	Hinges factory-set on the right but reversible	Hinges factory-set on the right but reversible	Hinges factory-set on the right but reversible	Hinges factory-set on the right but reversible	Hinges factory-set on the right but reversible	Hinges factory-set on the right but reversible
Display	LED	LED	LED	-	LED	LED	-
Temperature Control	Digital	Digital	Digital	Digital	Digital	Digital	Mechanic
Type of Interior Lighting	LED	LED	LED	LED	LED	LED	LED
Shelves in the Refrigerator compartment	3	3	3	3	4	4	4
Drawers/Baskets in the Refrigerator compartment	3	2	1	1	1	1	1
Shelves in the Freezer compartment							
Drawers/Baskets in the Freezer compartment	2	3	3	3	3	3	3
Shelves in the Refrigerator Door		3	4		5	5	5
DIMENSIONS / WEIGHT							
Net Weight (kg)	101,0	73,0	66	56	58,5	58,5	46,5
Net Dimensions - W x H x D (cm)	83,5 x 190,0 x 65,0	59,5 x 203,0 x 65,5	600 x 195 x 65,8	59,5 x 185 x 60	59,5 x 188,0 x 63,0	59,5 x 188 x 63	54,5 x 180,0 x 58,0



CF-174ELF W CF-174ELF S	DD-207E X DD-207E S DD-207E W	DD-235E W DD-235E S DD-235E X	VL-235E W	TTR-93E+	TTR-93E	TTL-93E	MF-45E
47 x 150	55 x 143	55 x 159	55 x 142	48 x 85	48 x 85	48 x 85	48 x 50
174	204	159	230	80	93	93	43
115	163	163	230	68	93	93	43
59	41	41	-	12	-	-	-
N / ST	N / ST	SN / N / ST	N / ST	N / ST	N / ST / T	N / ST	N / ST
****	****	****	-	****	-	-	-
E / 39	E / 40	E / 40	E / 40	E / 41	E / 41	E / 40	E / 41
Conventional cooling	Conventional cooling	Conventional cooling	Conventional cooling	Conventional cooling	Conventional cooling	Conventional cooling	Conventional cooling
Low Frost	Conventional cooling	Conventional cooling	-	Conventional cooling	Conventional cooling	-	Conventional cooling
Painted metal / White	Inox / Inox Painted metal / Silver Painted metal / White	Inox / Inox Painted metal / Silver Painted metal / White	Painted metal / White	Painted metal / White	Painted metal / White	Painted metal / White	Painted metal / White
Hinges factory-set on the right but reversible	Hinges factory-set on the right but reversible	Hinges factory-set on the right but reversible	Hinges factory-set on the right but reversible	Hinges factory-set on the right but reversible	Hinges factory-set on the right but reversible	Hinges factory-set on the right but reversible	Hinges factory-set on the right but reversible
-	-	-	-	-	-	-	-
Mechanic	Mechanic	Mechanic	Mechanic	Mechanic	Mechanic	Mechanic	Mechanic
LED	LED	LED	LED				-
3	3	3	4	2	3	3	1
1	1	1	1	1	-	1	-
2	-	-	-	-	-	-	-
3	3	3	4	3	3	3	2
36,0	37,0	41,2	38,0	20,2	19,0	20	13,6
47,0 x 150,0 x 51,1	55,0 x 143,0 x 55,0	55,0 x 159,0 x 55,0	55,5 x 142,0 x 55,0	47,2 x 85,0 x 45,0	47,2 x 85,0 x 45,0	47,2 x 85,0 x 45,0	47,2 x 49,2 x 45,0

WINE COOLER



MODEL	CW-144D46 GB
Total capacity (L)	144
Number of standard wine bottles	46
Number of zones	2
Temperature Zone 1 / Zone 2 (°C)	5-18 / 5-18
Climate class	N / ST / T
Energy efficiency (A-G)	G
Noise level (dB)	39
Cooling technology	NO FROST i No Frost Multi Air Flow
Material / Color	Metal-glass / Black
Door opening	Hinges factory-set on the right but reversible
Display	LED
Temperature control	Digitalna
Type of lighting	LED
Number of shelves in the refrigerator	2
Number of drawers/baskets in the refrigerator	5
DIMENSIONS / WEIGHT	
Net dimensions - W x H x D (cm)	59,5 x 86,5 x 65,0
Net weight (kg)	29,0
Gross dimensions - W x H x D (cm)	65,0 x 93,0 x 67,0

FREEZERS



MODEL	CFR-418	CFR-293	CFR-250	CFR-199	CFR-143	VF-238ENF W	VF-157E W	TTF-60E	MFR-32E
Total capacity (L)	418	293	249	198	143	238	160	60	31
Climate class	SN / N / ST / T	SN / N / ST / T	SN / N / ST / T	SN / N / ST	SN / N / ST	SN / N / ST	N / ST	N / ST	N / ST
Freezer star rating	****	****	****	****	****	****	****	****	****
Energy efficiency (A-G)	E	E	E	E	E	E	E	E	E
Noise level (dB)	44	41	41	41	40	41	42	41	41
Technology	Conventional cooling	Conventional cooling	Conventional cooling	Conventional cooling	Conventional cooling	No Frost	Conventional cooling	Conventional cooling	Conventional cooling
Material / Color	Painted metal / White	Painted metal / White	Painted metal / White	Painted metal / White	Painted metal / White	Painted metal / White	Painted metal / White	Painted metal / White	Painted metal / White
Door opening	Upwards	Upwards	Upwards	Upwards	Upwards	Hinges factory-set on the right but reversible	Hinges factory-set on the right but reversible	Hinges factory-set on the right but reversible	Hinges factory-set on the right but reversible
Display	LED	LED indicators	LED indicators	LED indicators	LED indicators	LED	-	-	-
Temperature control	Digital	Mechanic	Mechanic	Mechanic	Mechanic	Digital	Mechanic	Mechanic	Mechanic
Number of shelves in the freezer	-	-	-	-	-	2	1	-	1
Number of drawers/baskets in the freezer	2	2	2	1	1	5	5	3	-
DIMENSIONS / WEIGHT									
Net dimensions - W x H x D (cm)	141,6 x 82,5 x 75,0	106,5 x 84,4 x 59,2	98,5 x 85,0 x 60,0	77,0 x 85,0 x 56,0	60,0 x 85,0 x 56,0	59,5 x 172 x 63 / 60	55,0 x 142,0 x 55,0	47,5 x 84,5 x 44,6	47,2 x 49,2 x 45,0
Net weight (kg)	53,0	32,5	33,0	24,9	22,5	60	38	20,7	15,1
Gross dimensions - W x H x D (cm)	144,9 x 87,4 x 77,8	110,4 x 87,0 x 61,3	102,5 x 87,0 x 62,5	79,7 x 87,0 x 57,8	62,9 x 87,0 x 57,8	65,7 x 174,5 x 68,8	58,5 x 145,0 x 58,5	49,0 x 85,5 x 46,0	52,0 x 50,3 x 46,5
Gross weight (kg)	59,5	37,0	37,0	27,9	25,0	66	45,0	22,6	16,6

WASHING MACHINES



MODEL	WFL-140916PSI	WFL-140816PMI	WFL-141012CI	WFL-140912CI	WFL-140812CI	WFL-140712CI
Motor type	Inverter	Inverter	Inverter	Inverter	Inverter	Inverter
Washing Capacity (kg)	9	8	10	9	8	7
Spinning (rpm/min)	1400	1400	1400	1400	1400	1400
Washing programs	16	16	12	12	12	12
Loading Type	Front	Front	Front	Front	Front	Front
Energy Efficiency	A-30%	A	A	A	A	A
Noise Level (dB)	76	72	76	76	76	76
Display	LED	LED	LED	LED	LED	LED
Washing programs	Cotton, ECO 40°-60°, Sports, Duvet, Delicate, Baby Care, Storm Wash, Steam, Mix, Quick 15', Quick 42'/Rapid 42', Wash 20°C, Wool, Rinse + Spin, Spin Only, Tub Clean	Cotton, ECO 40°-60°, Mix, Synthetics, Baby Care, Quick 15', Quick 45', Sportswear, Jeans, Wash 20°C, Wool, Drum Clean, Spin, "Stain Magic" - Stain Removal, Boost - Quick Wash, Favorite Program (My Cycle)	Cotton, ECO 40°-60°, Sportswear wash, Bulky items (bedding, etc.), Delicate children's laundry, Steam wash, Mixed laundry, Quick 15', Cold wash 20°C, Wool, Spin, Rinse and spin	Cotton, ECO 40°-60°, Sportswear wash, Bulky items (bedding, etc.), Delicate children's laundry, Steam wash, Mixed laundry, Quick 15', Cold wash 20°C, Wool, Spin, Rinse and spin	Cotton, ECO 40°-60°, Sportswear, Bulky Items (Bedding etc.), Baby Care, Steam Wash, Mix, Quick 15', Cold Wash 20°C, Wool, Spin, Rinse and Spin	Cotton, ECO 40°-60°, Sportswear, Bulky Items (Bedding etc.), Baby Care, Steam Wash, Mix, Quick 15', Cold Wash 20°C, Wool, Spin, Rinse and Spin
Buttons	Pre Wash, Delay, Soil Level, Temp, Rinse+, Speed, My Cycle, Child Lock, Night Wash, Super Spa, On/Off, Start/Pause	Delay, Spin Speed, Temperature Adjustment/Lock, "Stain Magic" (Stain Removal), Function (Pre-Wash / Extra Rinse / Soaking), Boost (Shortened Wash), On/Off, Start/Pause	Spin speed/Prewash, Temperature setting/"Drum Clean" - drum cleaning, Wash delay, On/Off, Start/Pause	Spin speed/Prewash, Temperature setting/"Drum Clean" - drum cleaning, Wash delay, On/Off, Start/Pause	Spin Speed/Pre-Wash, Temperature Adjustment/ Drum Clean, Delay, On/Off, Start/Pause	Spin Speed/Pre-Wash, Temperature Adjustment/ Drum Clean, Delay, On/Off, Start/Pause
Delay start	Yes	Yes	Yes, up to 24 h	Yes, up to 24 h	Yes, up to 24 h	Yes, up to 24 h
Temperature / Spin speed adjustment	Yes / Yes	Yes / Yes	Yes / Yes	Yes / Yes	Yes / Yes	Yes / Yes
Pre-wash / Extra rinse	Yes / Yes	Yes / Yes	Yes / No	Yes / No	Yes / No	Yes / No
DIMENSIONS / WEIGHT						
Net dimensions - W x H x D (cm)	59,5 x 85,0 x 60	59,5 x 85,0 x 56,5	59,5 x 85,0 x 60	59,5 x 85,0 x 60	59,5 x 85,0 x 51,0	59,5 x 85,0 x 48,0
Net weight (kg)	63	63,0	63	63	62,0	60,0



WFL-120812CI	WFL-120712CI	WFL-120716CDS	WFL-120716CSI	WFL-100616CDSI	WFL-100616CSI	WTL-120715CB
Clasic	Clasic	Inverter	Clasic	Clasic	Clasic	Clasic
8	7	7	7	6	6	7
1200	1200	1200	1200	1000	1000	1200
12	12	16	16	16	16	15
Front	Front	Front	Front	Front	Front	Top
E	E	A	E	E	E	C
76	76	76	76	74	74	78
LED	LED	LED	LED	LED	LED indicators	LED indicators
Cotton, ECO 40°-60°, Mix, Underwear, Baby Care, Delicate, Bulky Items (Bedding etc.), Synthetics, Quick 15', Sportswear, Wool, Spin, Rinse and Spin	Cotton, ECO 40°-60°, Sportswear, Underwear, Wool, Bulky Items (Bedding etc.), Mix, Cold Wash 20°C, Baby Care, Quick 15', Spin, Rinse and Spin	Cotton, ECO 40°-60°, Mix, Underwear, Baby Care, Delicate, Bulky Items (Bedding etc.), Synthetics, Quick 15', Quick 42', Sportswear, Jackets, Wool, Drum Cleaning, Spin, Rinse and Spin	Cotton, ECO 40°-60°, Mix, Underwear, Baby Care, Delicate, Bulky Items (Bedding etc.), Synthetics, Quick 15', Quick 42', Sportswear, Jackets, Wool, Drum Cleaning, Spin, Rinse and Spin	Cotton, ECO 40°-60°, Mix, Underwear, Baby Care, Delicate, Bulky Items (Bedding etc.), Synthetics, Quick 15', Quick 42', Sportswear, Jackets, Wool, Drum Cleaning, Spin, Rinse and Spin	Cotton, ECO 40°-60°, Mix, Underwear, Baby Care, Delicate, Bulky Items (Bedding etc.), Synthetics, Quick 15', Quick 42', Sportswear, Jackets, Wool, Drum Cleaning, Spin, Rinse and Spin	Cold Cotton, Cotton 30°C, Cotton 40°C, Cotton 60°C, Hygienic Wash 90°, Delicate, ECO 40-60°C, Spin, Rinse and Spin, Jeans, Mix 60°C, Mix 40°C, Delicate 20°C, Quick Wash 45', Quick Wash 15'
Spin Speed/Wash Delay, Temperature Adjustment/Lock, Rinse/Pre-Wash, On/Off, Start/Pause	Spin Speed, Temperature Adjustment/Drum Clean, Delay, On/Off, Start/Pause	Spin Speed/Delay, Temperature Adjustment/Lock, Rinse/Pre-wash, On/Off, Start/Pause	Spin Speed, Temperature Adjustment/Lock, Delay/Pre-wash, On/Off, Start/Pause	Spin Speed, Temperature Adjustment, Delay/Pre-wash, On/Off, Start/Pause	Spin Speed, Temperature Adjustment, Delay/, On/Off, Start/Pause	Spin Adjustment, Delay, Function Button, Start/Pause
Yes	Yes, up to 24 h	Yes	Yes	Yes, up to 24 h	Yes, up to 24 h	Yes, up to 24 h
Yes / Yes	Yes / Yes	Yes / Yes	Yes / Yes	Yes / Yes	Yes / Yes	No / Yes
No / Yes	No / No	Yes / Yes	Yes / Yes	Yes / Yes	No/ No	Yes / Yes
59,5 x 85,0 x 51,0	59,5 x 85,0 x 48,0	59,5 x 85,0 x 48,0	59,5 x 85,0 x 48,0	59,5 x 85,0 x 44,0	59,5 x 85,0 x 44,0	40,0 x 87,5 x 61,0
56,0	53,0	53,0	53,0	52,0	52,0	56,0

WASHER-DRYER MACHINE



MODEL	WDF-1408D616BS
Type	Washer-Dryer
Washing Capacity (kg)	8
Drying Capacity (kg)	6
Spinning (rpm/min)	1400
Washing programs	16
Loading Type	Front
Energy Efficiency	E
Noise Level (dB)	76
Display	LED
Washing programs	Quick Wash 15', Sensitive 20°C, Sportswear Wash, Jeans, Wool, ECO 40-60°C, Intensive, Spin Only, Rinse and Spin, Favorite Program (My Cycle)
Drying programs	Dry Only, Wash and Dry, Dry Mixed Fabrics, Dry Synthetics, Dry Cotton, Wash and Dry in 1 Hour
Buttons	Delay, Temperature Adjustment, Spin Speed Adjustment, Dryness Level, On/Off, Start/Pause
DIMENSIONS / WEIGHT	
Net dimensions - W x H x D (cm)	59,5 x 85,0 x 47,5
Net weight (kg)	65,0
Gross dimensions - W x H x D (cm)	65,0 x 88,5 x 55,5
Gross weight (kg)	68,0

DRYER MACHINES



MODEL	CDR-0916SHP	CDR-0816MHP	CDR-0816SHP
Type	Condenser tumble dryer with heat pump	Condenser tumble dryer with heat pump	Condenser tumble dryer with heat pump
Capacity (kg)	9	8	8
Programs	16	16	16
Loading Type	Front	Front	Front
Energy Efficiency	E	A++	A++
Noise Level (dB)	66	65	65
Display	LED	LED	LED
Drying programs	Eco, Mix, Shirts, Delicate, Duvet, Baby Care, Down Jacket, Underwear, Hygiene, Towel, Sports, Time Dry, Refresh, Hair removal, Warm Clothes, Air Wash	Extra Cotton, Standard, Iron Ready, Delicate, Mix, Extra Mix, Standard Mix Laundry, Refresh, Wardrobe Dry (Cool), Warm Dry, T-Shirts, Sportswear, Bedding, Jeans, Program with Favorite Settings (My Cycle)	Cotton, 1 T-shirt, up to 5 T-shirts, Wool, Bedding, Refresh, Timed Drying, Disinfection (Hygiene), Sportswear, Baby Clothes, Mix, Synthetics, Jeans, Program with Favorite Settings (My Cycle)
Buttons	My Cycle, Delay, Child Lock, Time adjustment, Anti Crease, Dry Level, Iron, Lamp, Buzzer, On/Off, Start/Pause	Delay, Program duration adjustment, Anti-Crease, Laundry Dryness Intensity, On/Off, Start/Pause	"Magic Dry, Delay, Program duration adjustment, Lighting drum, Anti-Crease, On/Off end of program sound warning, On/Off, Start/Pause"
DIMENSIONS / WEIGHT			
Net dimensions - W x H x D (cm)	59,5 x 85 x 59	59,5 x 84,5 x 60,0	59,5 x 84,5 x 60,0
Net weight (kg)	45	41,0	41,0
Gross dimensions - W x H x D (cm)	70 x 88,5 x 66	67,0 x 86,5 x 62,0	67,0 x 86,5 x 62,0

DISHWASHERS



MODEL	DW-601473C X	DW-601473C	DW-601472C X	DW-601472C S	DW-601472C
Type	Freestanding dishwasher	Freestanding dishwasher	Freestanding dishwasher	Freestanding dishwasher	Freestanding dishwasher
Capacity (Dish settings)	14	14	14	14	14
Programs	7	7	7	7	7
Energy efficiency	E	E	E	E	E
Noise level (dB)	47	47	47	47	47
Display	LED	LED	LED	LED	LED
Buttons	On/Off, Program Selection, Timer Adjustment +/-, Child Lock, Half Load, Function Button (F): Quick Wash and Extra Drying, Start/Pause	On/Off, Program Selection, Extra drying, Half load, Timer, Child lock, Start/Pause	On/Off, Program Selection, Timer Adjustment +/-, Child Lock, Half Load, Function Button (F): Quick Wash and Extra Drying, Start/Pause	On/Off, Program Selection, Timer Adjustment +/-, Child Lock, Half Load, Function Button (F): Quick Wash and Extra Drying, Start/Pause	On/Off, Program Selection, Extra drying, Half load, Timer, Child lock, Start/Pause
Baskets	3	3	2	2	2
Upper / Bottom spray arm	Yes/Yes	Yes/Yes	Yes/Yes	Yes/Yes	Yes/Yes
Top spray nozzle	Yes	Yes	Yes	Yes	Yes
Basket accessories	Top and bottom basket with folding racks; Folding glass rack; 3rd shallow cutlery basket; Adjustable height for the top basket	Top and bottom basket with folding racks; Folding glass rack; 3rd shallow cutlery basket; Adjustable height for the top basket	Top and bottom basket with folding racks; Folding glass rack; Cutlery basket in the bottom basket; Small 3rd shallow cutlery basket; Adjustable height for the top basket	Top and bottom basket with folding racks; Folding glass rack; Cutlery basket in the bottom basket; Small 3rd shallow cutlery basket; Adjustable height for the top basket	Top and bottom basket with folding racks; Folding glass rack; Cutlery basket in the bottom basket; Small 3rd shallow cutlery basket; Adjustable height for the top basket
Accessories	Salt Funnel, Connection hoses, User manual, Energy efficiency label, Length of drainage /supply hose / power cable: 1500mm / 1550mm / 1450mm; Installation and User Manual	Salt Funnel, Connection hoses, User manual, Energy efficiency label, Length of drainage /supply hose / power cable: 1500mm / 1550mm / 1450mm; Installation and User Manual	Salt Funnel, Connection hoses, User manual, Energy efficiency label, Length of drainage /supply hose / power cable: 1500mm / 1550mm / 1450mm; Installation and User Manual	Salt Funnel, Connection hoses, User manual, Energy efficiency label, Length of drainage /supply hose / power cable: 1500mm / 1550mm / 1450mm; Installation and User Manual	Salt Funnel, Connection hoses, User manual, Energy efficiency label, Length of drainage /supply hose / power cable: 1500mm / 1550mm / 1450mm; Installation and User Manual
Overflow Protection	Yes	Yes	Yes	Yes	Yes
AquaStop on Water Supply	No	No	No	No	No
DIMENSIONS / WEIGHT					
Net Dimensions - W x H x D (cm)	59,8 x 84,5 x 60,0	59,8 x 84,5 x 60,0	59,8 x 84,5 x 60,0	59,8 x 84,5 x 60,0	59,8 x 84,5 x 60,0
Net Weight (kg)	43	43	43	43	43



DW-601262CL X

DW-601262CL S

DW-601262CL

DW-45942B S

DW-45942B

Freestanding dishwasher

Freestanding dishwasher

Freestanding dishwasher

Freestanding dishwasher

Freestanding dishwasher

12

12

12

9

9

6

6

6

4

4

E

E

E

E

E

49

49

49

49

49

LED indicators

LED indicators

LED indicators

LED indicators

LED indicators

On/Off, Program Selection, Extra draying, Half load, Timer, Child lock, Start/Pause

On/Off, Program Selection, Extra draying, Half load, Timer, Child lock, Start/Pause

On/Off, Program Selection, Extra draying, Half load, Timer, Child lock, Start/Pause

"On/Off, Program Selection, Half load, Start/Pause"

"On/Off, Program Selection, Half load, Start/Pause"

2

2

2

2

2

Yes/Yes

Yes/Yes

Yes/Yes

Yes/Yes

Yes/Yes

No

No

No

No

No

Top and bottom basket with fixed racks; Folding cup rack in the top basket; Cutlery basket in the bottom basket

Top and bottom basket with fixed racks; Folding cup rack in the top basket; Cutlery basket in the bottom basket

Top and bottom basket with fixed racks; Folding cup rack in the top basket; Cutlery basket in the bottom basket

Top and bottom basket with folding racks; Cutlery basket; Folding cup rack; Adjustable top basket height

Top and bottom basket with folding racks; Cutlery basket; Folding cup rack; Adjustable top basket height

Salt Funnel, Connection hoses, User manual, Energy efficiency label,

Salt Funnel, Connection hoses, User manual, Energy efficiency label,

Salt Funnel, Connection hoses, User manual, Energy efficiency label,

Salt Funnel, Connection hoses, User manual, Energy efficiency label,

Salt Funnel, Connection hoses, User manual, Energy efficiency label,

Yes

Yes

Yes

Yes

Yes

No

No

No

No

No

59,8 x 84,5 x 60,0

59,8 x 84,5 x 60,0

59,8 x 84,5 x 60,0

44,8 x 84,5 x 60,0

44,8 x 84,5 x 60,0

37

37

37

37

37

SELF STANDING COOKERS



MODEL	FC-31602 X	FC-31602 BLX	FC-31602IF WH	FC-31602I WH	FC-31602 WH	FC-31502 WH
Type	Gas-Electric	Gas-Electric	Gas-Electric	Gas-Electric	Gas-Electric	Gas-Electric
Cooktop	3x Gas Burners + 1x Electric Hot Plate	3x Gas Burners + 1x Electric Hot Plate	3x Gas Burners + 1x Electric Hot Plate	3x Gas Burners + 1x Electric Hot Plate	3x Gas Burners + 1x Electric Hot Plate	3x Gas Burners + 1x Electric Hot Plate
Top Cover	Yes (Glass)	Yes (metal)	No	No	Yes (metal)	Yes (metal)
Energy Efficiency	A	A	A	A	A	A
COOKTOP						
Top support Grid	Enameled	Enameled	Enameled	Enameled	Enameled	Enameled
Top Left Surface power (W)	1000	1000	1000	1000	1000	1000
Power of Bottom Left Surface (W)	2500	2500	2500	2500	2500	2500
Power of Top Right Surface (W)	1700	1700	1700	1700	1700	1700
Power of Bottom Right Surface (W)	900	900	900	900	900	900
OVEN						
Oven Capacity (L)	64	64	64	64	64	52
Power of Bottom/Top Heater (W)	1300/850	1300/850	1300/850	1300/850	1300/850	800/650
Cooking Programs	5	3	5	3	3	3
Cooking Programs	Top, Bottom, Top and Bottom, Fan, Fan + Top, Light	Top, Bottom, Top and Bottom, Light	Top, Bottom, Top+Bottom, Fan, Fan+Top+Bottom, Light	Top, Bottom, Top and Bottom, Light	Top, Bottom, Top and Bottom, Light	Top, Bottom, Top and Bottom, Light
Oven Equipment	Flat enameled try, Chrome grid	Flat enameled try, Chrome grid	Flat enameled try, Chrome grid	Flat enameled try, Chrome grid	Flat enameled try, Chrome grid	Flat enameled try, Chrome grid
Convection Cooking Fan	Yes	No	Yes	No	No	No
Removable Oven Door Glass	Yes	Yes	Yes	Yes	Yes	No
DIMENSIONS / WEIGHT						
Net Dimensions - W x H x D (cm)	59,5 x 88,0 x 65,0	59,5 x 88,0 x 65,0	59,5 x 88,0 x 65,0	60,0 x 85,0 x 65,0	59,5 x 88,0 x 65,0	49,5 x 88,0 x 65,0
Net Weight (kg)	36,4	36,2	36,2	36,0	36,2	28,0



FC-22602 WH	FC-22502 WH	FC-04602 WH	FC-04502 WH	FC-04502VCF WH	FC-40602I WH	FC-04502I WH
Gas-Electric	Gas-Electric	Electric	Electric	Electric	Gas	Gas
2x Gas Burners + 2x Electric Hot Plate	2x Gas Burners + 2x Electric Hot Plate	4x Electric Hot Plate	4x Electric Hot Plate	4x Glass Ceramic Hot Plate	4x Gas Burners	4x Gas Burners
Yes (metal)	Yes (metal)	Yes (metal)	Yes (metal)	No	No	No
A	A	A	A	A	A	A
Enameled	Enameled	-	-	-	Enameled	Enameled
1500	1500	1500	1500	1800	1700	1700
1000	1000	1000	1000	1200	2500	1700
900	900	1000	1000	1200	1700	900
2500	2500	1500	1500	1800	900	2500
64	52	64	52	52	64	52
1300/850	800/650	1300/850	800/650	800/650	1300/850	1300/850
3	3	3	3	5	3	3
Top, Bottom, Top and Bottom, Light	Top, Bottom, Top and Bottom, Light	Top, Bottom, Top and Bottom, Light	Top, Bottom, Top and Bottom, Light	Top, Bottom, Top+Bottom, Fan, Fan+Top+Bottom, Light	Top, Bottom, Top and Bottom, Light	Top, Bottom, Top and Bottom, Light
Flat enameled try, Chrome grid	Flat enameled try, Chrome grid	Flat enameled try, Chrome grid	Flat enameled try, Chrome grid	Flat enameled try, Chrome grid	Flat enameled try, Chrome grid	Flat enameled try, Chrome grid
No	No	No	No	Yes	No	No
Yes	No	Yes	No	No	Yes	Yes
59,5 x 88,0 x 65,0	49,5 x 88,0 x 65,0	59,5 x 88,0 x 65,0	49,5 x 88,0 x 65,0	49,5 x 88,0 x 65,0	59,5 x 88,0 x 65,0	50,0 x 85,0 x 65,0
37,0	29,0	29,5	29,5	29,0	36,0	28,0

WATER HEATERS



MODEL	EWH-80VM	EWH-50VM
Volume (L)	80	50
TECHNOLOGY		
Load Capacity (3XS - XXL)	M	M
Heater Power (W)	1500	1500
Average Consumption kWh / Annually (kWh/annum)	1420	1422
Noise Level During Heater Operation (dB)	15	15
Energy Efficiency	C	C
Quantity of Mixed Water at 40°C (L)	90	76
Default T out / Max. Thermostat T	58 / 75	74 / 75
Material / Color	Painted metal / Pearl mat white	Painted metal / Pearl mat white
Tank Type	Enamelled	Enamelled
Installation	Vertical	Vertical
Rotary Thermostat Knob	Yes	Yes
DIMENSIONS / WEIGHT		
Net Dimensions - W x H x D (cm)	45,0 x 80,5 x 47,0	38,5 x 77,0 x 40,5
Net Weight (kg)	24,0	17,5

BUILT-IN MICROWAVE OVEN



MODEL	MWOB-2020G G
Volume (L)	20
Control	Digital
LED display	Yes
Grill function	Yes
Microwave power (W)	800
Grill power	1000
FEATURES	
Additional functions	Quick start, Cooking, Grill/combi cooking, Defrosting by weight, Defrosting by time, Child lock, Auto-cook menu (8 programs), Multi-stage cooking
Material type - Door	Glass
Material type - Control panel	Glass
DIMENSIONS / WEIGHT	
Built-in dimensions - W x H x D (cm)	56,0 x 36,2 x 50,0
Net dimensions - W x H x D (cm)	59,5 x 34,3 x 38,2
Net weight (kg)	15,0

BUILT-IN OVENS



MODEL	BO-808BFD G	BO-808BFD X	BO-806BFTM G	BO-806BFTM X
Oven capacity (L)	80	80	80	80
Power (W)	2300	2300	2300	2300
Cooking programs	7	7	5	5
Energy efficiency	A	A	A	A
Maximum oven temperature	240	240	240	240
Cooking programs	Lighting, Lighting + Fan, Grill + Fan, Bottom Heater + Fan, Conventional heating (Top + Bottom heater), Conventional heating + Fan, Top Heater + Fan, Grill	Lighting, Lighting + Fan, Grill + Fan, Bottom Heater + Fan, Conventional heating (Top + Bottom heater), Conventional heating + Fan, Top Heater + Fan, Grill	Top Heater, Conventional heating (Top + Bottom heater), Conventional heating + Fan, Fan + Bottom heater, Steam assisted cleaning	Top Heater, Conventional heating (Top + Bottom heater), Conventional heating + Fan, Fan + Bottom heater, Steam assisted cleaning
Timer	Yes	Yes	Yes	Yes
Digital display	Yes	Yes	No	No
Other features	Digital LCD display, Timer with reminder and programmable cooking according to duration or end time, Cabinet Cooling with a tangential fan, 'Pop-In/Out' retractable knobs, Convection Fan cooking, Child lock	Digital LCD display, Timer with reminder and programmable cooking according to duration or end time, Cabinet Cooling with a tangential fan, 'Pop-In/Out' retractable knobs, Convection Fan cooking, Child lock	Mechanical timer with reminder, Cabinet Cooling with a tangential fan, 'Pop-In/Out' retractable knobs, Convection Fan cooking	Mechanical timer with reminder, Cabinet Cooling with a tangential fan, 'Pop-In/Out' retractable knobs, Convection Fan cooking
Oven rack guides	Side wire rack	Side wire rack	Side wire rack	Side wire rack
Oven accessories	1 Tray + 1 Grid	1 Tray + 1 Grid	1 Tray + 1 Grid	1 Tray + 1 Grid
Convection Cooking Fan	Yes	Yes	Yes	Yes
Oven tangential cooling fan	Yes	Yes	Yes	Yes
Removable oven door glass	Yes	Yes	Yes	Yes
Oven handle	Black	Inox painted	Black	Inox painted
DIMENSIONS / WEIGHT				
Built-in dimensions - W x H x D (cm)	56,0 x 59,0 x 55,0	56,0 x 59,0 x 55,0	56,0 x 59,0 x 55,0	56,0 x 59,0 x 55,0
Net dimensions - W x H x D (cm)	59,5 x 59,5 x 57,5	59,5 x 59,5 x 57,5	59,5 x 59,5 x 58,7	59,5 x 59,5 x 58,7
Net weight (kg)	29	28,8	29	29



BO-806BFM X	BO-606FTM G	BO-606FTM X	BO-624MS G	BO-624MS X
80	60	60	62	62
2200	2200	2200	2200	2200
5	5	5	3	3
A	A	A	A	A
240	240	240	240	240
Top Heater, Conventional heating (Top + Bottom heater), Conventional heating + Fan, Fan + Bottom heater, Steam assisted cleaning	Top Heater, Conventional heating (Top + Bottom heater), Conventional heating + Fan, Fan + Bottom heater, Steam assisted cleaning	Top Heater, Conventional heating (Top + Bottom heater), Conventional heating + Fan, Fan + Bottom heater, Steam assisted cleaning	Lighting, Top heater, Conventional heating (Top + Bottom heater), Bottom heater	Lighting, Top heater, Conventional heating (Top + Bottom heater), Bottom heater
No	Yes	Yes	No	No
No	No	No	No	No
Cabinet Cooling with a tangential fan, Convection Fan cooking	Mechanical timer with reminder, Cabinet Cooling with a tangential fan, Convection Fan cooking	Mechanical timer with reminder, Cabinet Cooling with a tangential fan, Convection Fan cooking	Cabinet Cooling with a tangential fan	Cabinet Cooling with a tangential fan
Side wire rack	Side wire rack	Side wire rack	Embossed racks	Embossed racks
1 Tray + 1 Grid	1 Tray + 1 Grid	1 Tray + 1 Grid	1 Tray + 1 Grid	1 Tray + 1 Grid
Yes	Yes		No	No
No	No		Yes	Yes
Yes	Yes		Yes	Yes
Inox painted	Black	Inox painted	Painted metal	Painted metal
56,0 x 59,0 x 55,0	56,0 x 59,0 x 55,0	56,0 x 59,0 x 55,0	56,0 x 59,0 x 55,0	56,0 x 59,0 x 55,0
59,5 x 59,5 x 58,7	59,5 x 59,5 x 58,7	59,5 x 59,5 x 58,7	59,5 x 59,5 x 58,7	59,5 x 59,5 x 58,7
28,8	28,6	28,6	28,8	28,8

BUILT-IN HOBS



MODEL	BH-04M2FZIN	BH-04MFZIN	BH-04MIN	BH-04MDOVC
Cooktop	2x Flexi zone	4x induction + Flexi zone	4x induction	4x ceramic hot plates
Top surface material	Glass ceramic	Glass ceramic	Glass ceramic	Glass ceramic
Additional functions	Automatic safety shutdown if no cookware is detected, Residual heat indicator while cooling, Child safety lock, "Boost" function, Pause cooking, Timer for reminders and Timer for one or more zones (1-99 minutes), Error detection	Automatic safety shutdown if no cookware is detected, Residual heat indicator while cooling, Child safety lock, "Boost" function, Pause cooking, Timer for reminders and Timer for one or more zones (1-99 minutes), Error detection	Automatic safety shutdown if no cookware is detected, Residual heat indicator while cooling, Child safety lock, "Boost" function, Pause cooking, Timer for reminders and Timer for one or more zones (1-99 minutes), Error detection	Automatic safety shutdown if no cookware is detected, Residual heat indicator while cooling, Child safety lock, Pause cooking, Timer for reminders and Timer for one or more zones (1-99 minutes)
Power of the top left zone (W)	2400 / 2600 (Boost)	2400 / 2600 (Boost)	2300 / 2600 (Boost)	1200
Power of the bottom left zone (W)	1400 / 1500 (Boost)	1400 / 1500 (Boost)	1300 / 1500 (Boost)	1000/2200
Power of the top right zone (W)	1800 / 2000 (Bost) / Flex zone 3000/3600W (Boost)	1800 / 2000 (Bost) / Flex zone 3000/3600W (Boost)	1800 / 2000 (Boost)	1100/2000
Power of the bottom right zone (W)	1800 / 2000 (Bost) / Flex zone 3000/3600W (Boost)	1800 / 2000 (Bost) / Flex zone 3000/3600W (Boost)	1800 / 2000 (Boost)	1200
Diameter of the top left zone (cm)	21	21	21	16,5
Diameter of the bottom left zone (cm)	16	16	16	23,0 / 14,0
Diameter of the top right zone (cm)	18	18	18	27,0 x 16,5
Diameter of the bottom right zone (cm)	18	18	18	16,5
Number of rapid-heating electric zone	-	-	-	-
DIMENSIONS / WEIGHT				
Built-in dimensions - W x H x D (cm)	52,0 x 59,0	52,0 x 59,0	52,0 x 59,0	52,0 x 59,0
Net dimensions - W x H x D (cm)	59,0 x 5,5 (0,4) x 52,0	59,0 x 5,5 (0,4) x 52,0	59,0 x 6,2 (0,4) x 52,0	59,0 x 5,1 (0,4) x 52,0
Net weight (kg)	8,5	8,5	8,5	8,5



BH-04MVC	BH-02MFZIN	BH-02MIN	BH-02MVC
4x ceramic hot plates	Flexi zone	2x induction	2x ceramic hot plates
Glass ceramic	Glass ceramic	Glass ceramic	Glass ceramic
Automatic safety shutdown if no cookware is detected, Residual heat indicator while cooling, Child safety lock, Pause cooking, Timer for reminders and Timer for one or more zones (1-99 minutes)	Automatic safety shutdown if no cookware is detected, Residual heat indicator while cooling, Child safety lock, "Boost" function, Pause cooking, Timer for reminders and Timer for one or more zones (1-99 minutes), Error detection	Automatic safety shutdown if no cookware is detected, Residual heat indicator while cooling, Child safety lock, "Boost" function, Pause cooking, Timer for reminders and Timer for one or more zones (1-99 minutes), Error detection	Automatic safety shutdown if no cookware is detected, Residual heat indicator while cooling, Child safety lock, Pause cooking, Timer for reminders and Timer for one or more zones (1-99 minutes)
1200	1800 / 2000 (Boost) - Top zone	1800 / 2000 (Boost) - Top zone	1800 - Top zone
1800	1350 / 1500 (Boost) - Bottom zone	1350 / 1500 (Boost) - Bottom zone	1200 - Bottom zone
1800	-	-	-
1200	-	-	-
16,5	16	16	16,5
20	18	18	20
20	-	-	-
16,5	-	-	-
-	-	-	-
52,0 x 59,0	27,0 x 50,0	27,0 x 50,0	27,0 x 49,0
59,0 x 5,1 (0,4) x 52,0	28,8 x 5,5 (0,4) x 52,0	28,8 x 5,5 (0,4) x 52,0	28,8 x 5,5 (0,4) x 52,0
8,5	4,2	4,2	4,6

COOKER HOODS



MODEL	CHO-60CSD115T GB	CHO-60CSD100T GB	CHO-60CHC115 B	CHO-60CHA100T X
Hood type	Chimney	Chimney	Chimney	Chimney
Motor power (W)	115	100	115	100
Number of air flow speeds	3	3	3	3
Control	Digital	Digital	Mechanic	Mechanic
Energy efficiency	A	A	A	D
Lighting	LED	LED	LED	LED
Type of filter	3-layer aluminum	3-layer aluminum	3-layer aluminum	3-layer aluminum
Noise level - min/max speed (dB)	47/66	59/67	47/67	62/68
Air flow (m ³ /h)	379	272	452	283
Diameter of exhaust connection (cm)	15	12	15	12
Material	Glass	Glass	Painted metal	Inox
Color	Black	Black	Black	Silver
DIMENSIONS / WEIGHT				
Installation dimensions - W x H x D (cm)	-	-	-	-
Net dimensions - W x H x D (cm)	59,5 x 74,9 - 87,7 x 41,2	59,5 x 72,2-87,7 x 37,3	59,5 x 69,5-88 x 45,3	59,6 x 66,0-87,0 x 45,3
Net weight (kg)	8,4	6,5	6,2	5,4



CHO-60PT100T X	CHO-60PT100T B	CHO-60BI100T X	CHO-60BI100T B
Built-in telescopic	Built-in telescopic	Built-in	Built-in
100	100	100	100
2	2	3	3
Mechanic	Mechanic	Mechanic	Mechanic
D	D	D	D
LED	LED	LED	LED
3-layer aluminum	3-layer aluminum	3-layer aluminum	3-layer aluminum
55/64	55/64	60/70	60/70
289	289	281	281
12	12	12	12
Inox	Painted metal	Inox	Painted metal
Silver	Black	Silver	Black
50,0 x 28,0	50,0 x 28,0	49,7 x 24,4	49,7 x 24,4
59,5 x 17,6 x 30,0-42,0	59,5 x 17,6 x 30,0-42,0	52,5 x 20,3 x 27,5	52,5 x 20,3 x 27,5
5,2	5,2	3,5	3,5

BUILT-IN DISHWASHERS



MODEL	DWB-601473D	DWB-601472D	DWB-601372D
Capacity (Dish settings)	14	14	13
Programs	7	7	7
Number of Baskets	3	2	2
Energy Efficiency	E	E	E
Noise Level (dB)	47	47	47
Programs	Intensive, Universal, ECO, Glass, 90 min, Rapid, Soak	Intensive, Universal, ECO, Glass, 90 min, Rapid, Soak	Intensive, Universal, ECO, Glass, 90 min, Rapid, Soak
Buttons	On/Off, Program Selection, Half Load, Timer	On/Off, Program Selection, Half Load, Timer	On/Off, Program Selection, Half Load, Timer
Display	LED	LED	LED
Upper spray arm	Yes	Yes	Yes
Bottom spray arm	Yes	Yes	Yes
Top Spray nozzle	Yes	Yes	Yes
Basket accessories	Upper basket with fixed racks, Folding cutlery shelf and folding cup holder in the upper basket, Lower basket with folding racks, 3rd shallow cutlery basket, Adjustable height of the upper basket	Upper basket with fixed racks, Folding cutlery shelf and folding cup holder in the upper basket, Lower basket with folding racks, Cutlery basket in the bottom basket; Small 3rd shallow cutlery basket, Adjustable height of the upper basket	Upper basket with fixed racks, Folding cutlery shelf and folding cup holder in the upper basket, Lower basket with folding racks, Cutlery basket in the bottom basket, Adjustable height of the upper basket
Accessories	"Installation kit (screws, brackets, protective sticker for the worktop), funnel for salt; Length of drain / supply hose with Aqua Stop device / power cable: 1400mm / 1500mm / 1500mm; User and installation instructions"	"Installation kit (screws, brackets, protective sticker for the worktop), funnel for salt; Length of drain / supply hose with Aqua Stop device / power cable: 1400mm / 1500mm / 1500mm; User and installation instructions"	"Installation kit (screws, brackets, protective sticker for the worktop), funnel for salt; Length of drain / supply hose with Aqua Stop device / power cable: 1400mm / 1500mm / 1500mm; User and installation instructions"
Overflow Protection	Yes	Yes	Yes
AquaStop on Water Supply	Yes	Yes	Yes
DIMENSIONS / WEIGHT			
Built-in Dimensions - W x H x D (cm)	min. 60,0 x 82,0	min. 60,0 x 82,0	min. 60,0 x 82,0
Net Dimensions - W x H x D (cm)	59,8 x 81,5 x 55,0	59,8 x 81,5 x 55,0	59,8 x 81,5 x 55,0
Net Weight (kg)	38,8	38,8	38,8



DWB-601252CL



DWB-451072D



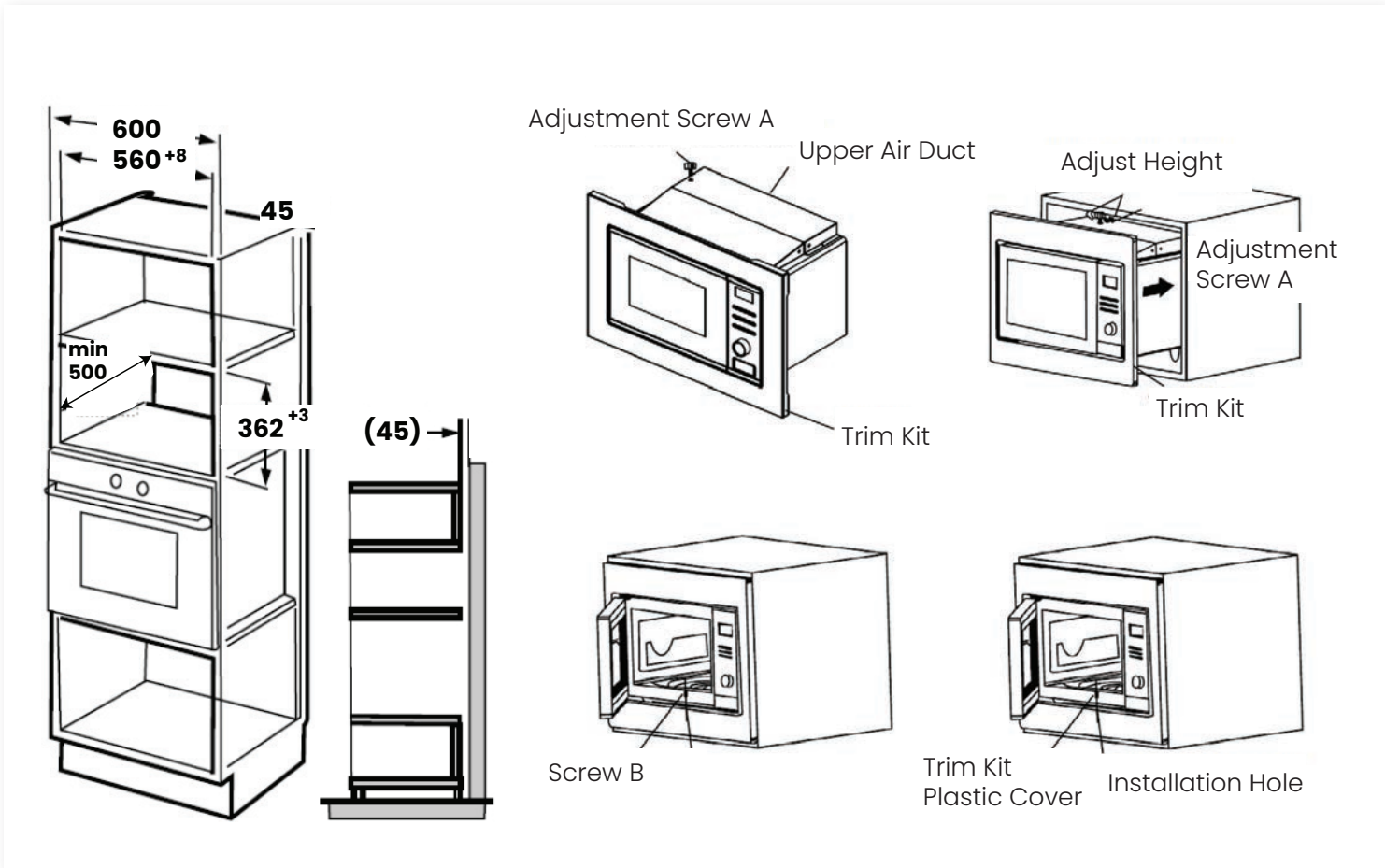
DWB-450952C

12	10	9
5	7	5
2	2	2
E	E	E
49	49	49
Intensive, Universal, ECO, 90 min, Rapid	Intensive, Universal, ECO, Glass, 90 min, Rapid, Soak	Intensive, Universal, ECO, 90 min, Rapid
On/Off, Program Selection, Half Load, Timer	On/Off, Program Selection, Half Load, Timer	On/Off, Program Selection, Half Load, Timer
LED indicators	LED	LED indicators
Yes	Yes	Yes
Yes	Yes	Yes
No	No	No
Upper basket with fixed racks, Folding cutlery shelf and folding cup holder in the upper basket, Lower basket with folding racks, cutlery basket in the lower basket, Adjustable height of the upper basket	Upper basket with fixed racks, Folding cutlery shelf and folding cup holder in the upper basket, Lower basket with folding racks, Cutlery basket in the bottom basket; Small 3rd shallow cutlery basket, Adjustable height of the upper basket	Upper basket with fixed racks, Folding cutlery shelf and folding cup holder in the upper basket, Lower basket with folding racks, cutlery basket in the lower basket, Adjustable height of the upper basket
"Installation kit (screws, brackets, protective sticker for the worktop), funnel for salt; supply hose with Aqua Stop device / power cable: 1500mm / 1500mm; User and installation instructions"	"Installation kit (screws, brackets, protective sticker for the worktop), funnel for salt; supply hose with Aqua Stop device / power cable: 1500mm / 1500mm; User and installation instructions"	"Installation kit (screws, brackets, protective sticker for the worktop), funnel for salt; supply hose with Aqua Stop device / power cable: 1500mm / 1500mm; User and installation instructions"
Yes	Yes	Yes
Yes	Yes	Yes
min. 60,0 x 82,0	min. 45,0 x 82,0	min. 45,0 x 82,0
59,8 x 81,5 x 55,0	44,8 x 81,5 x 55,0	44,8 x 81,5 x 55,0
38,8	30,5	30,5



BUILT-IN MICROWAVE OVEN

MWOB-2020G G





BUILT-IN OVENS

BO-808BFD G

BO-808BFD X

BO-806BFTM G

BO-806BFTM X

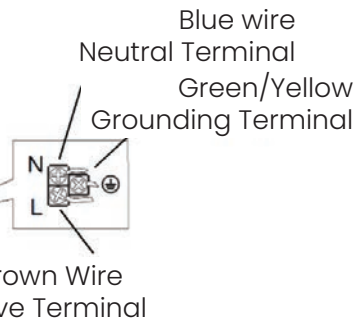
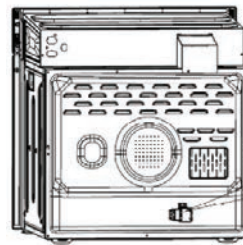
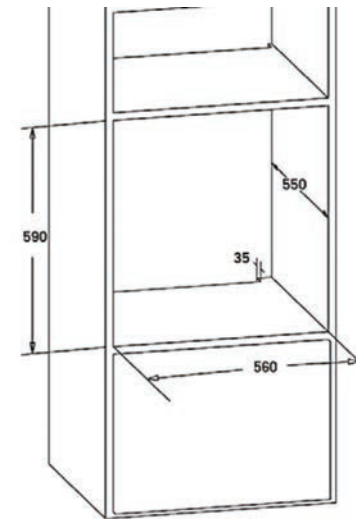
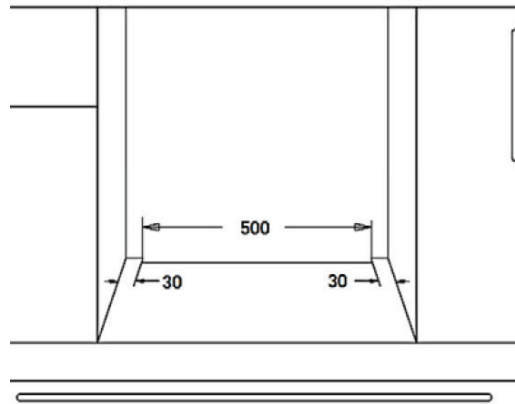
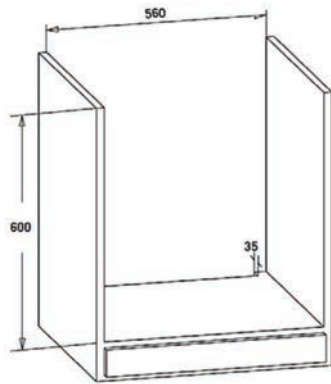
BO-806BFM X

BO-606FTM B

BO-606FTM X

BO-624MS G

BO-624MS X



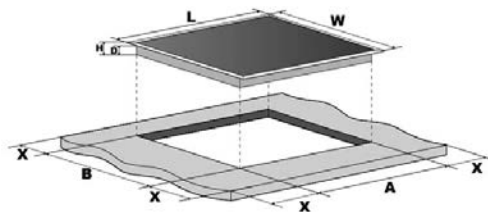
BUILT-IN HOBS

BH-04MFZIN

BH-04MIN

BH-04MDOVC

04MVC



BH-04MFZIN

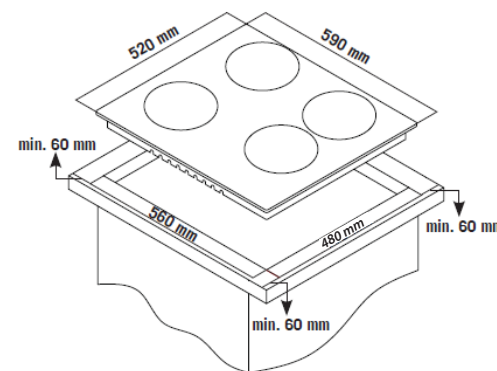
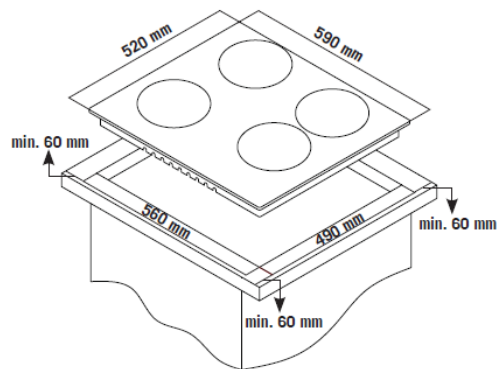
BH-04MIN

L(mm)	W(mm)	H(mm)	D(mm)	A(mm)	B(mm)	X(mm)	F(mm)
590	520	62	58	560+4 +1	490+4 +1	50 min	3 min.

BH-04MDOVC

BH-04MVC

L(mm)	W(mm)	H(mm)	D(mm)	A(mm)	B(mm)	X(mm)	F(mm)
590	520	51	47	560+2 -2	480+2 -2	50 min	3 min.



BH-04TVC

BH-40TEI G

BH-31TEI X

BH-31TVCCI G

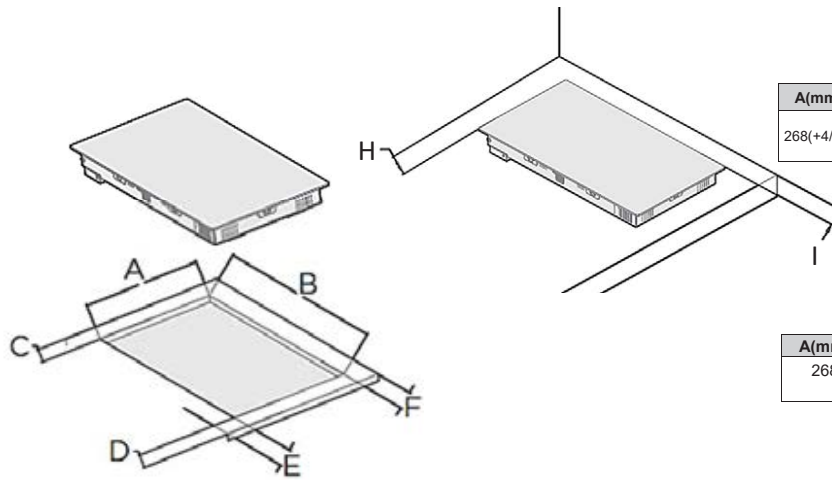
BH-312EI X



BUILT-IN HOBS

BH-02MIN

BH-02MVC



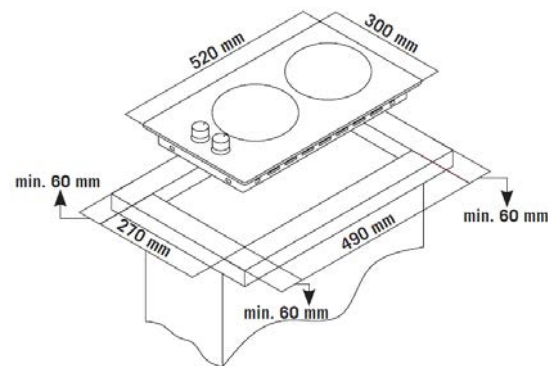
BH-02MVC

A(mm)	B(mm)	C(mm)	D(mm)	E(mm)	F(mm)	G(mm)	H(mm)	I(mm)
268(+4/-0)	490(+4/-0)	50	50	50	50	3 min	50 min	50 min

BH-02MIN

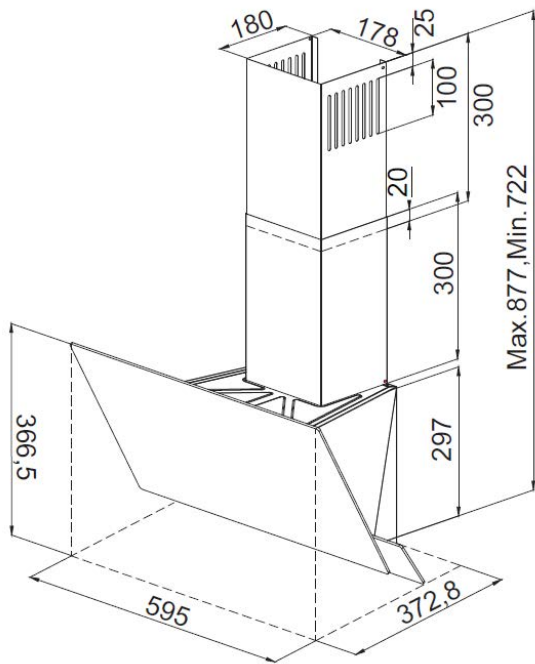
A(mm)	B(mm)	C(mm)	D(mm)	E(mm)	F(mm)	G(mm)
268+4 -0	500+4 -0	50 min	50 min	50 min	50 min	3mm mini

BH-02TVC

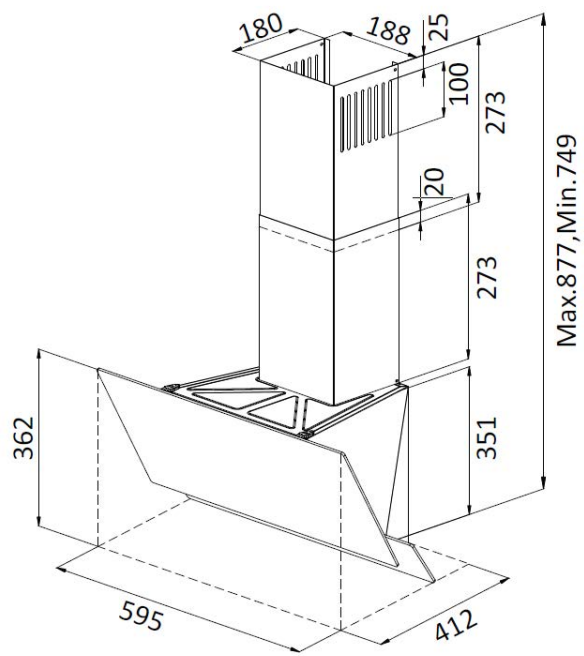


KITCHEN HOODS

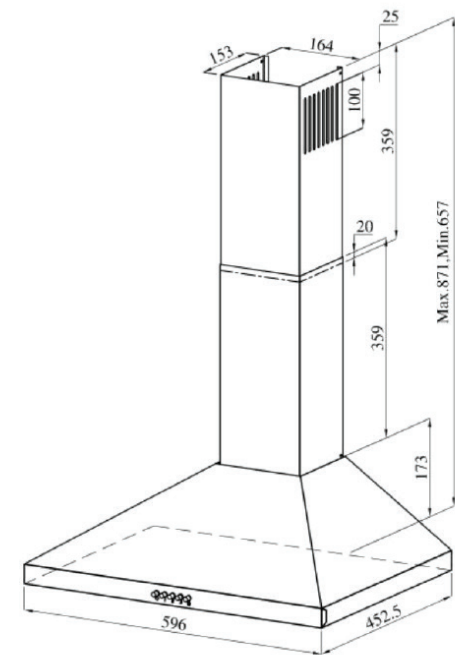
CHO-60CSD110T GB



CHO-60CSD115T GB



CHO-60CHA100T X





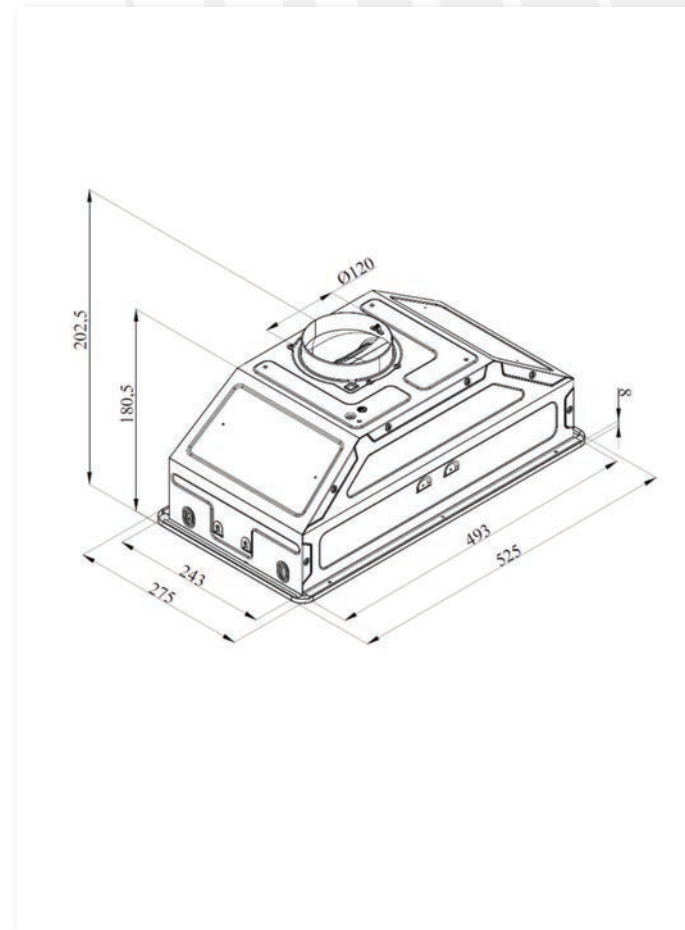
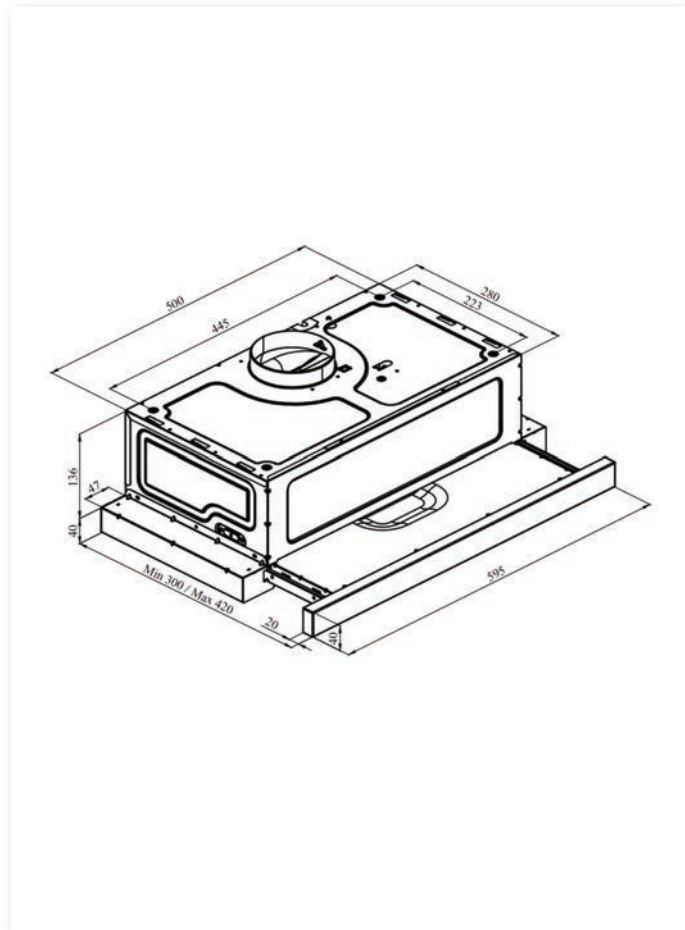
KITCHEN HOODS

CHO-60PT100T X

CHO-60PT100T B

CHO-60BI100T X

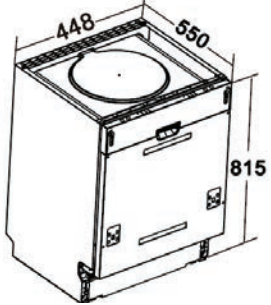
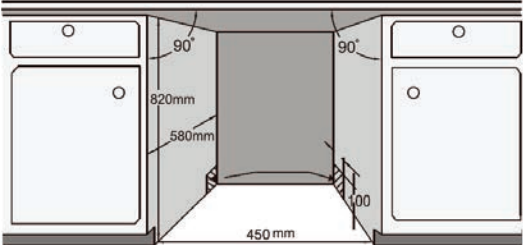
CHO-60BI100T B



BUILT-IN DISHWASHERS

DWB-451072D

DWB-450952C

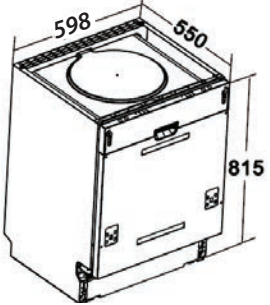
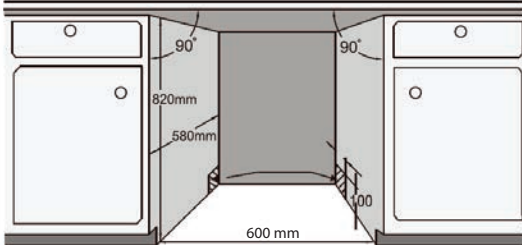


DWB-601473D

DWB-601472D

DWB-601372D

DWB-601252CL





Pražnica 4
10000 Zagreb

Tel: +43 660 5599367

Whatsapp: +43 688 9626257

E-mail: office@mskalte.hr

mskalte.hr